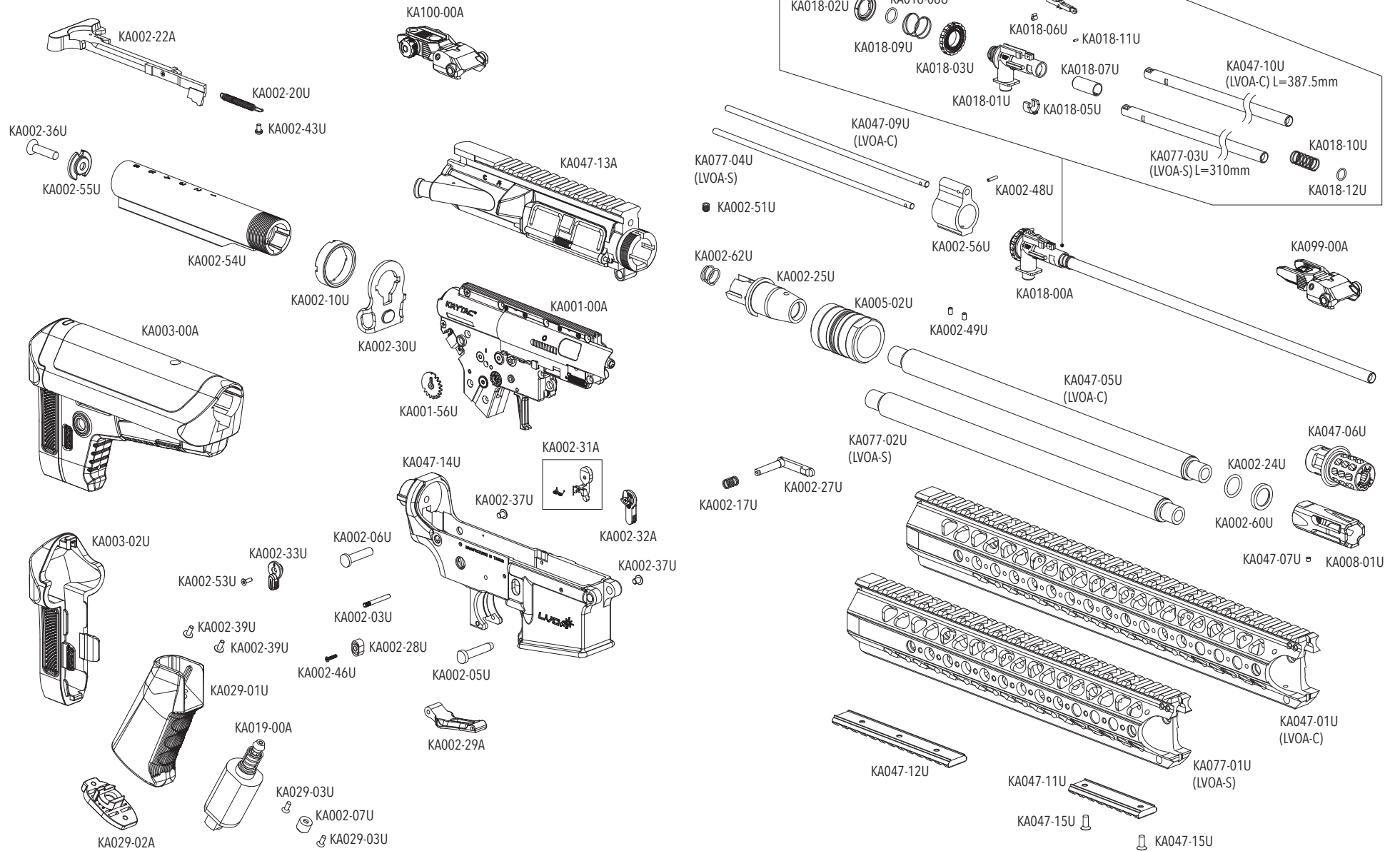
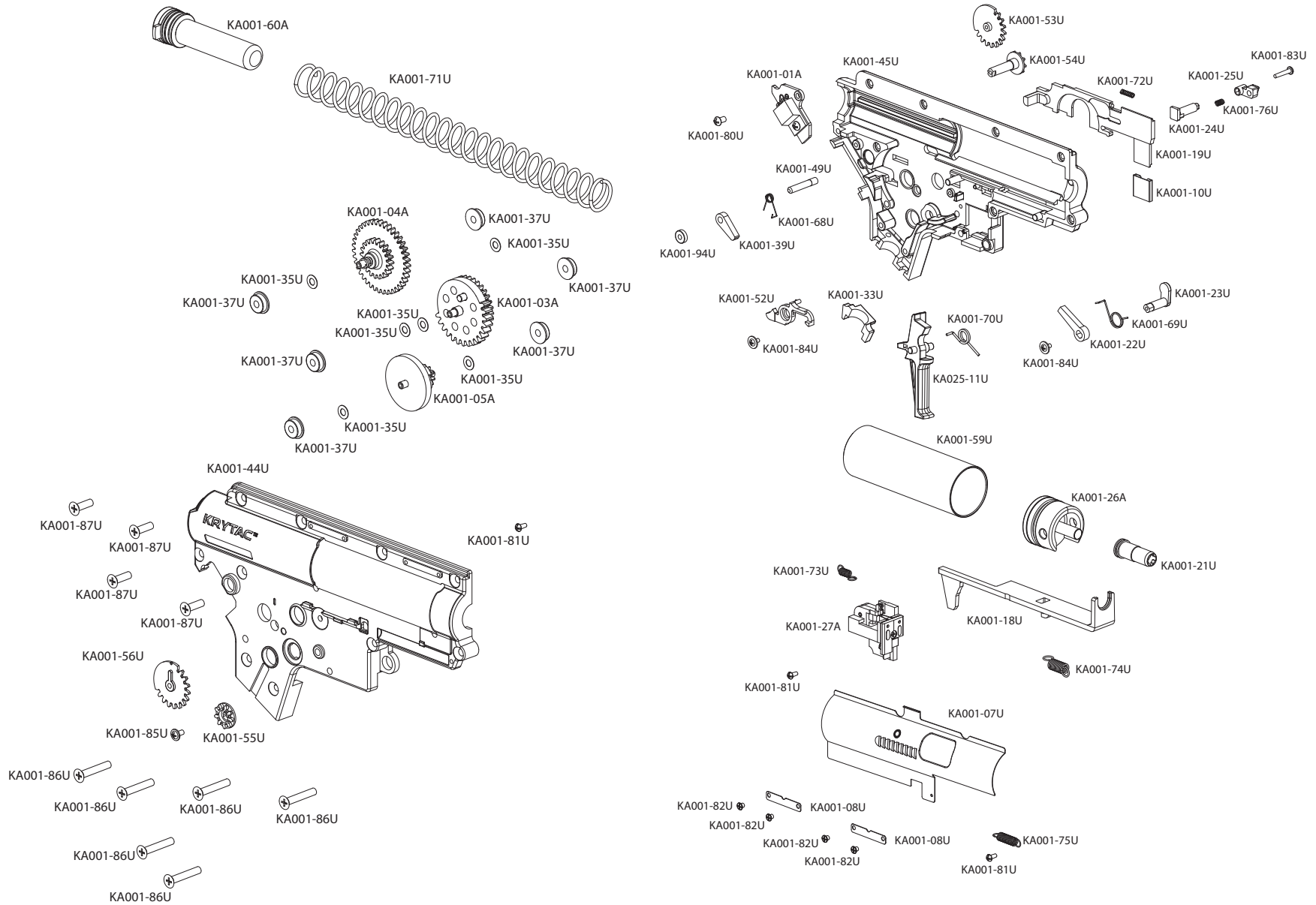


COMPONENTS DIAGRAM: WAR SPORT LVOA-C + LVOA-S



COMPONENTS DIAGRAM: WAR SPORT LVOA-C + LVOA-S GEARBOX



COMPONENTS LIST: WAR SPORT LVOA-C + LVOA-S



| PART # | NAME | | | | |
|-----------|------------------------|-----------|--------------------------------|-----------|-------------------------------|
| KA001-00A | GEARBOX | KA001-54U | SELECTOR TRANSFER AXIS GEAR | KA002-10U | CASTLE NUT |
| KA001-01A | MOSFET ASSEMBLY | KA001-55U | SELECTOR TRANSFER CAP GEAR | KA002-17U | MAGAZINE RELEASE SPRING |
| KA001-03A | SECTOR GEAR | KA001-56U | SELECTOR GEAR (RIGHT) | KA002-20U | CHARGING HANDLE SPRING |
| KA001-04A | SPUR GEAR | KA001-57U | PISTON HEAD NUT | KA002-22A | CHARGING HANDLE ASSEMBLY |
| KA001-05A | BEVEL GEAR | KA001-59U | CYLINDER (TYPE 1) | KA002-24U | CRUSH WASHER O-RING |
| KA001-07U | BOLT PLATE | KA001-60A | SPRING GUIDE ASSEMBLY | KA002-25U | OUTER BARREL BASE |
| KA001-08U | BOLT PLATE GUIDE (2) | KA001-68U | ANTI-REVERSE LATCH SPRING | KA002-27U | MAGAZINE RELEASE |
| KA001-10U | CONTACT (SELECTOR) | KA001-69U | SAFETY BLOCK SPRING | KA002-28U | MAGAZINE RELEASE BUTTON |
| KA001-15U | MAIN SPRING SHIM | KA001-70U | TRIGGER SPRING | KA002-29A | TRIGGER GUARD ASSEMBLY |
| KA001-16U | PISTON HEAD O-RING | KA001-71U | MAIN SPRING (M120) | KA002-30U | SLING PLATE |
| KA001-17U | PISTON HEAD SHIM | KA001-72U | DISCONNECT SPRING | KA002-31A | BOLT STOP ASSEMBLY |
| KA001-18U | TAPPET PLATE | KA001-73U | SWITCH SPRING | KA002-32A | LEFT SELECTOR ASSEMBLY |
| KA001-19U | SELECTOR PLATE | KA001-74U | TAPPET PLATE SPRING | KA002-33U | RIGHT SELECTOR |
| KA001-21U | AIR NOZZLE | KA001-75U | BOLT RETURN SPRING | KA002-36U | BUFFER TUBE SCREW |
| KA001-22U | SAFETY BLOCK | KA001-76U | BOLT PLATE LOCK SPRING | KA002-37U | RECEIVER PIN CAP SCREW (2) |
| KA001-23U | SAFETY BLOCK LEVER | KA001-80U | MOSFET SCREW | KA002-39U | PISTOL GRIP SCREW (2) |
| KA001-24U | BOLT PLATE LOCK | KA001-81U | BUTTON MICRO SCREW | KA002-43U | CHARGING HANDLE ANCHOR SCREW |
| KA001-25U | BOLT PLATE LOCK BUTTON | KA001-82U | BOLT PLATE SCREW (4) | KA002-46U | MAGAZINE RELEASE SCREW |
| KA001-26A | CYLINDER HEAD ASSEMBLY | KA001-83U | BOLT PLATE LOCK SCREW | KA002-48U | GAS BLOCK PIN |
| KA001-27A | SWITCH ASSEMBLY | KA001-84U | FLAT MICRO SCREW (2) | KA002-49U | GAS BLOCK SCREWS (2) |
| KA001-31A | PISTON ASSEMBLY | KA001-85U | SELECTOR TRANSFER GEAR SCREW | KA002-51U | OUTER BARREL BASE SCREW |
| KA001-31U | PISTON BODY | KA001-86U | GEARBOX SHELL SCREW (LONG)(6) | KA002-53U | RIGHT SELECTOR SCREW |
| KA001-32U | PISTON HEAD | KA001-87U | GEARBOX SHELL SCREW (SHORT)(4) | KA002-54U | BUFFER TUBE |
| KA001-33U | WIRING COVER | KA001-88U | PISTON HEAD SCREW | KA002-55U | BUFFER TUBE SCREW CAP |
| KA001-35U | SHIM (6) | KA001-94U | SOLID STEEL BUSHING | KA002-56U | GAS BLOCK |
| KA001-37U | BEARING (6) | KA002-03U | GEARBOX PIN | KA002-60U | CRUSH WASHER |
| KA001-39U | ANTI-REVERSE LATCH | KA002-05U | FRONT RECEIVER PIN | KA002-62U | HOP-UP TENSION SPRING |
| KA001-40U | PISTON TOOTH RACK | KA002-06U | REAR RECEIVER PIN | KA003-00A | STOCK ASSEMBLY |
| KA001-44U | GEARBOX SHELL (RIGHT) | KA002-07U | MOTOR ADJUSTMENT SCREW | KA003-02U | BUTTPAD |
| KA001-45U | GEARBOX SHELL (LEFT) | | | KA008-01U | FLASH HIDER |
| KA001-49U | ANTI-REVERSE LATCH PIN | | | KA018-00A | HOP-UP CHAMBER ASSEMBLY |
| KA001-52U | DISCONNECT LEVER | | | KA018-01U | HOP CHAMBER |
| KA001-53U | SELECTOR GEAR (LEFT) | | | KA018-02U | ADJUSTMENT CAP |
| | | | | KA018-03U | ADJUSTMENT WHEEL |
| | | | | KA018-04U | ADJUSTMENT LEVER |
| | | | | KA018-05U | BARREL CLIP |
| | | | | KA018-06U | NUB |
| | | | | KA018-07U | BUCKING |
| | | | | KA018-08U | ADJUSTMENT RETENSION O-RING |
| | | | | KA018-09U | ADJUSTMENT SPRING |
| | | | | KA018-10U | TENSION SPRING |
| | | | | KA018-11U | ADJUSTMENT LEVER PIN |
| | | | | KA018-12U | FRONT BARREL O-RING |
| | | | | KA019-00A | MOTOR |
| | | | | KA025-11U | TRIGGER |
| | | | | KA029-01U | PISTOL GRIP |
| | | | | KA029-02A | MOTOR PLATE ASSEMBLY |
| | | | | KA029-03U | MOTOR PLATE SCREW (2) |
| | | | | KA047-01U | LVOA@-C RAIL |
| | | | | KA047-05U | OUTER BARREL (LVOA@-C) |
| | | | | KA047-06U | WAR SPORT TOP HAT FLASH HIDER |
| | | | | KA047-07U | SET SCREW |
| | | | | KA047-09U | GAS TUBE (LVOA@-C) |
| | | | | KA047-10U | INNER BARREL (LVOA@-C) |
| | | | | KA047-11U | LVOA SHORT RAIL |
| | | | | KA047-12U | LVOA LONG RAIL |
| | | | | KA047-13A | UPPER RECEIVER |
| | | | | KA047-14U | LOWER RECEIVER |
| | | | | KA047-15U | LVOA RAIL SCREWS |
| | | | | KA077-01U | LVOA@-S RAIL |
| | | | | KA077-02U | OUTER BARREL (LVOA@-S) |
| | | | | KA077-03U | INNER BARREL (LVOA@-S) |
| | | | | KA077-04U | GAS TUBE (LVOA@-S) |
| | | | | KA099-00A | FRONT SIGHT ASSEMBLY |
| | | | | KA100-00A | REAR SIGHT ASSEMBLY |