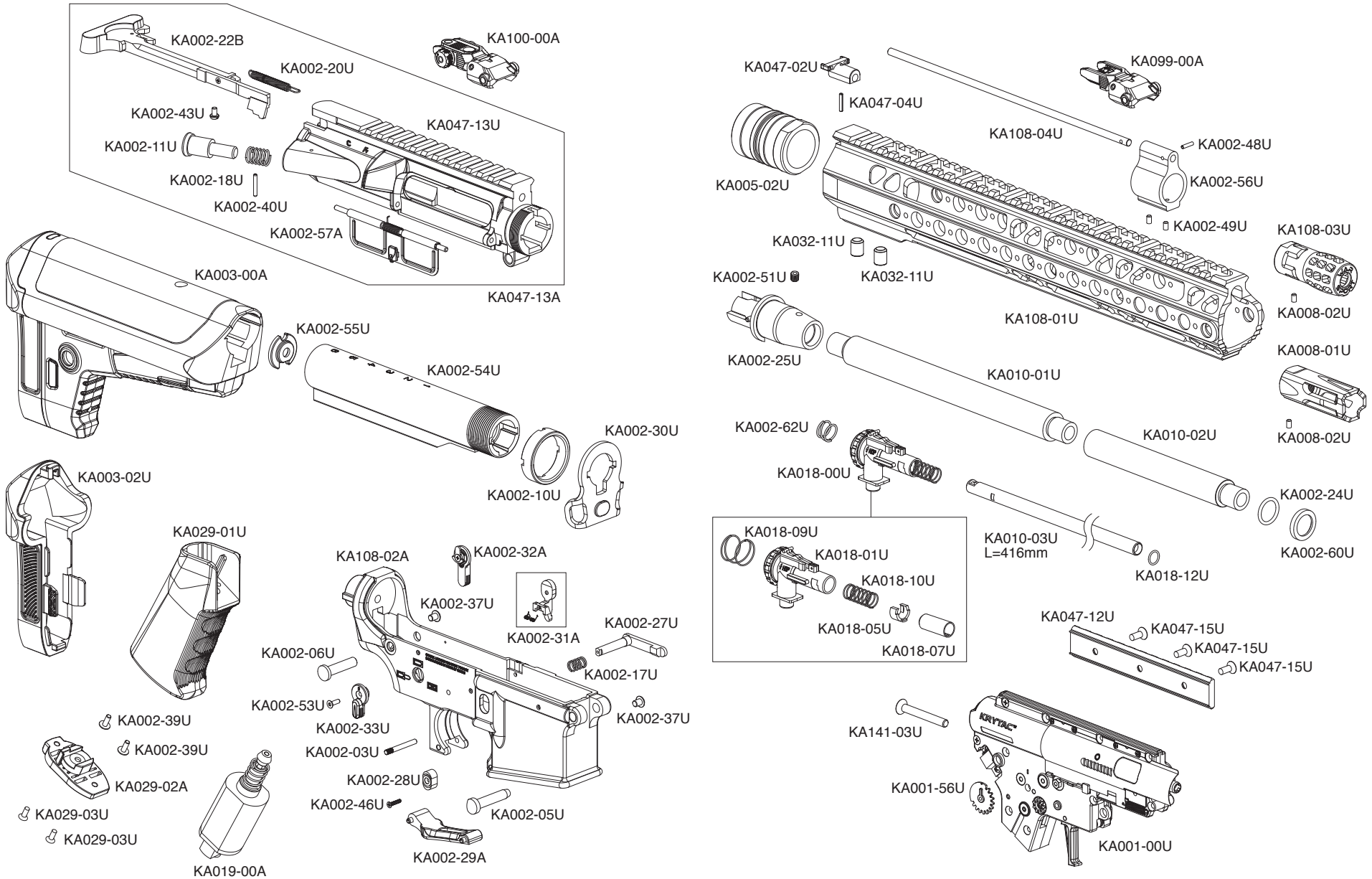


# COMPONENTS DIAGRAM: WAR SPORT GPR-CC





# COMPONENTS LIST: WAR SPORT GPR-CC



PART #	NAME				
KA001-00U	GEARBOX	KA001-54U	SELECTOR TRANSFER AXIS GEAR	KA002-10U	CASTLE NUT
KA001-01A	MOSFET ASSEMBLY	KA001-55U	SELECTOR TRANSFER CAP GEAR	KA002-11U	FORWARD ASSIST BUTTON
KA001-03A	SECTOR GEAR	KA001-56U	SELECTOR GEAR (RIGHT)	KA002-17U	MAGAZINE RELEASE SPRING
KA001-04A	SPUR GEAR	KA001-57U	PISTON HEAD NUT	KA002-18U	FORWARD ASSIST SPRING
KA001-05A	BEVEL GEAR	KA001-59U	CYLINDER (TYPE 1)	KA002-20U	CHARGING HANDLE SPRING
KA001-07U	BOLT PLATE	KA001-60A	SPRING GUIDE ASSEMBLY	KA002-22B	CHARGING HANDLE ASSEMBLY
KA001-08U	BOLT PLATE GUIDE (2)	KA001-68U	ANTI-REVERSE LATCH SPRING	KA002-24U	CRUSH WASHER O-RING
KA001-10U	CONTACT (SELECTOR)	KA001-69U	SAFETY BLOCK SPRING	KA002-25U	OUTER BARREL BASE
KA001-15U	MAIN SPRING SHIM	KA001-70U	TRIGGER SPRING	KA002-27U	MAGAZINE RELEASE
KA001-16U	PISTON HEAD O-RING	KA001-71U	MAIN SPRING (M120)	KA002-28U	MAGAZINE RELEASE BUTTON
KA001-17U	PISTON HEAD SHIM	KA001-72U	DISCONNECT SPRING	KA002-29A	TRIGGER GUARD ASSEMBLY
KA001-18U	TAPPET PLATE	KA001-73U	SWITCH SPRING	KA002-30U	SLING PLATE
KA001-19U	SELECTOR PLATE	KA001-74U	TAPPET PLATE SPRING	KA002-31A	BOLT STOP ASSEMBLY
KA001-21U	AIR NOZZLE	KA001-75U	BOLT RETURN SPRING	KA002-32A	LEFT SELECTOR ASSEMBLY
KA001-22U	SAFETY BLOCK	KA001-76U	BOLT PLATE LOCK SPRING	KA002-33U	RIGHT SELECTOR
KA001-23U	SAFETY BLOCK LEVER	KA001-80U	MOSFET SCREW	KA002-36U	BUFFER TUBE SCREW
KA001-24U	BOLT PLATE LOCK	KA001-81U	BUTTON MICRO SCREW	KA002-37U	RECEIVER PIN CAP SCREW (2)
KA001-25U	BOLT PLATE LOCK BUTTON	KA001-82U	BOLT PLATE SCREW (4)	KA002-39U	PISTOL GRIP SCREW (2)
KA001-26A	CYLINDER HEAD ASSEMBLY	KA001-83U	BOLT PLATE LOCK SCREW	KA002-40U	FORWARD ASSIST PIN
KA001-27A	SWITCH ASSEMBLY	KA001-84U	FLAT MICRO SCREW (2)	KA002-43U	CHARGING HANDLE ANCHOR SCREW
KA001-31A	PISTON ASSEMBLY	KA001-85U	SELECTOR TRANSFER GEAR SCREW	KA002-46U	MAGAZINE RELEASE SCREW
KA001-31U	PISTON BODY	KA001-86U	GEARBOX SHELL SCREW (LONG)(6)	KA002-48U	GAS BLOCK PIN
KA001-32U	PISTON HEAD	KA001-87U	GEARBOX SHELL SCREW (SHORT)(4)	KA002-49U	GAS BLOCK SCREWS (2)
KA001-33U	WIRING COVER	KA001-88U	PISTON HEAD SCREW	KA002-51U	OUTER BARREL BASE SCREW
KA001-35U	SHIM (6)	KA001-94U	SOLID STEEL BUSHING	KA002-53U	RIGHT SELECTOR SCREW
KA001-37U	BEARING (6)	KA002-03U	GEARBOX PIN	KA002-54U	BUFFER TUBE
KA001-39U	ANTI-REVERSE LATCH	KA002-05U	FRONT RECEIVER PIN	KA002-55U	BUFFER TUBE SCREW CAP
KA001-40U	PISTON TOOTH RACK	KA002-06U	REAR RECEIVER PIN	KA002-56U	GAS BLOCK
KA001-44U	GEARBOX SHELL (RIGHT)	KA002-07U	MOTOR ADJUSTMENT SCREW	KA002-57A	DUST COVER ASSEMBLY
KA001-45U	GEARBOX SHELL (LEFT)			KA002-60U	CRUSH WASHER
KA001-49U	ANTI-REVERSE LATCH PIN			KA002-62U	HOP-UP TENSION SPRING
KA001-52U	DISCONNECT LEVER			KA003-00A	STOCK ASSEMBLY
KA001-53U	SELECTOR GEAR (LEFT)			KA003-02U	BUTTPAD
				KA005-02U	BARREL NUT
				KA008-01U	FLASH HIDER
				KA008-02U	FLASH HIDER SET SCREW
				KA010-01U	OUTER BARREL
				KA010-02U	OUTER BARREL EXTENSION
				KA010-03U	INNER BARREL
				KA018-00U	HOP-UP CHAMBER ASSEMBLY
				KA018-01U	HOP CHAMBER
				KA018-05U	BARREL CLIP
				KA018-09U	ADJUSTMENT SPRING
				KA018-10U	TENSION SPRING
				KA018-12U	FRONT BARREL O-RING
				KA019-00A	MOTOR
				KA029-01U	PISTOL GRIP
				KA029-02A	MOTOR PLATE ASSEMBLY
				KA029-03U	MOTOR PLATE SCREW (2)
				KA032-01U	RETENSION NUT
				KA047-02A	RAIL KEY
				KA047-04U	RAIL KEY PIN
				KA047-07U	SET SCREW
				KA047-12U	LONG RAIL
				KA047-13U	UPPER RECEIVER
				KA047-13A	UPPER RECEIVER ASSEMBLY
				KA047-15U	RAIL SCREWS
				KA099-00A	FRONT SIGHT ASSEMBLY
				KA100-00A	REAR SIGHT ASSEMBLY
				KA108-01U	GPR-CC RAIL
				KA108-02A	LOWER RECEIVER
				KA108-03U	FLASH HIDER RETENSION SCREW
				KA108-04U	GAS TUBE
				KA141-03U	BUFFER TUBE SCREW