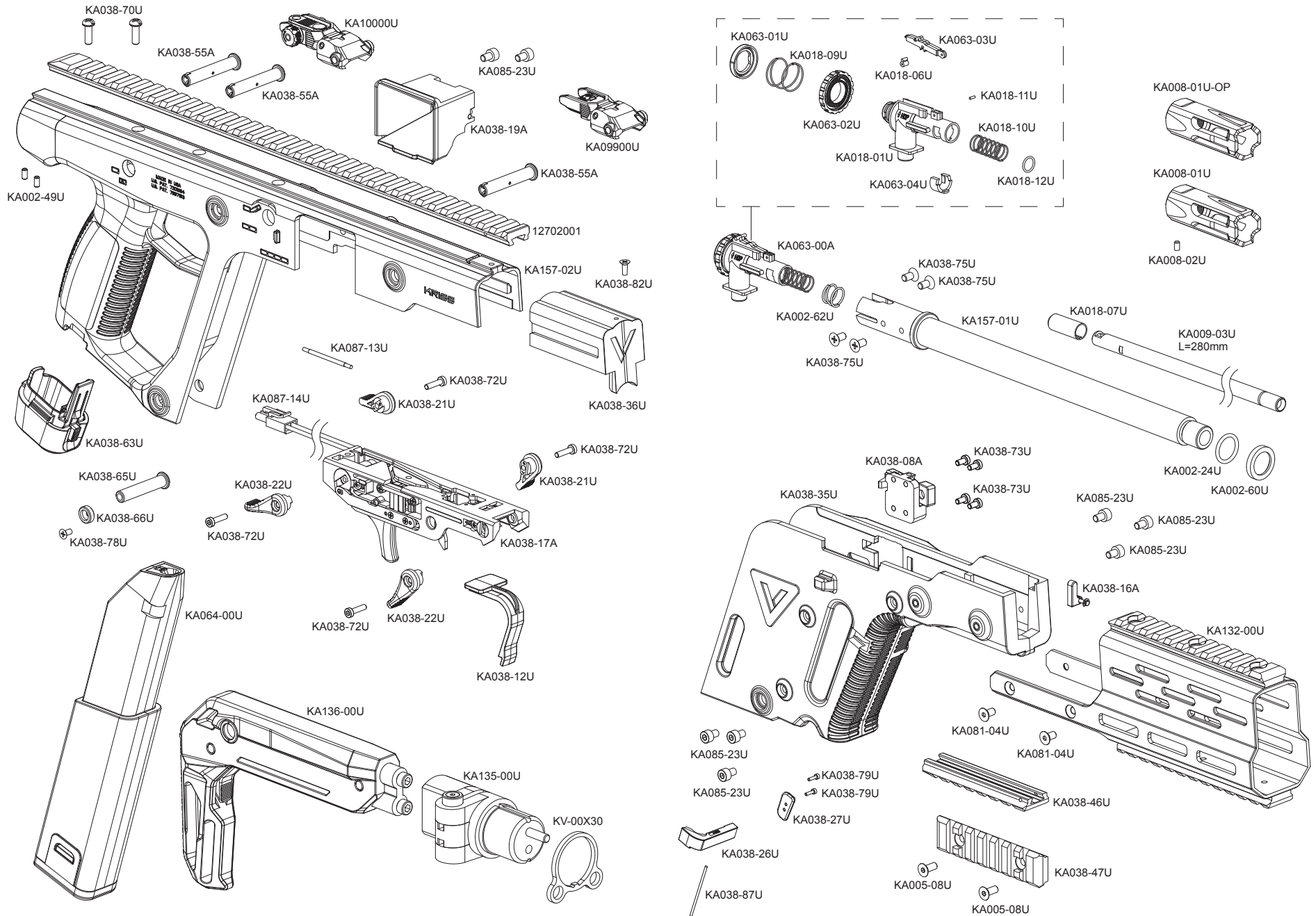
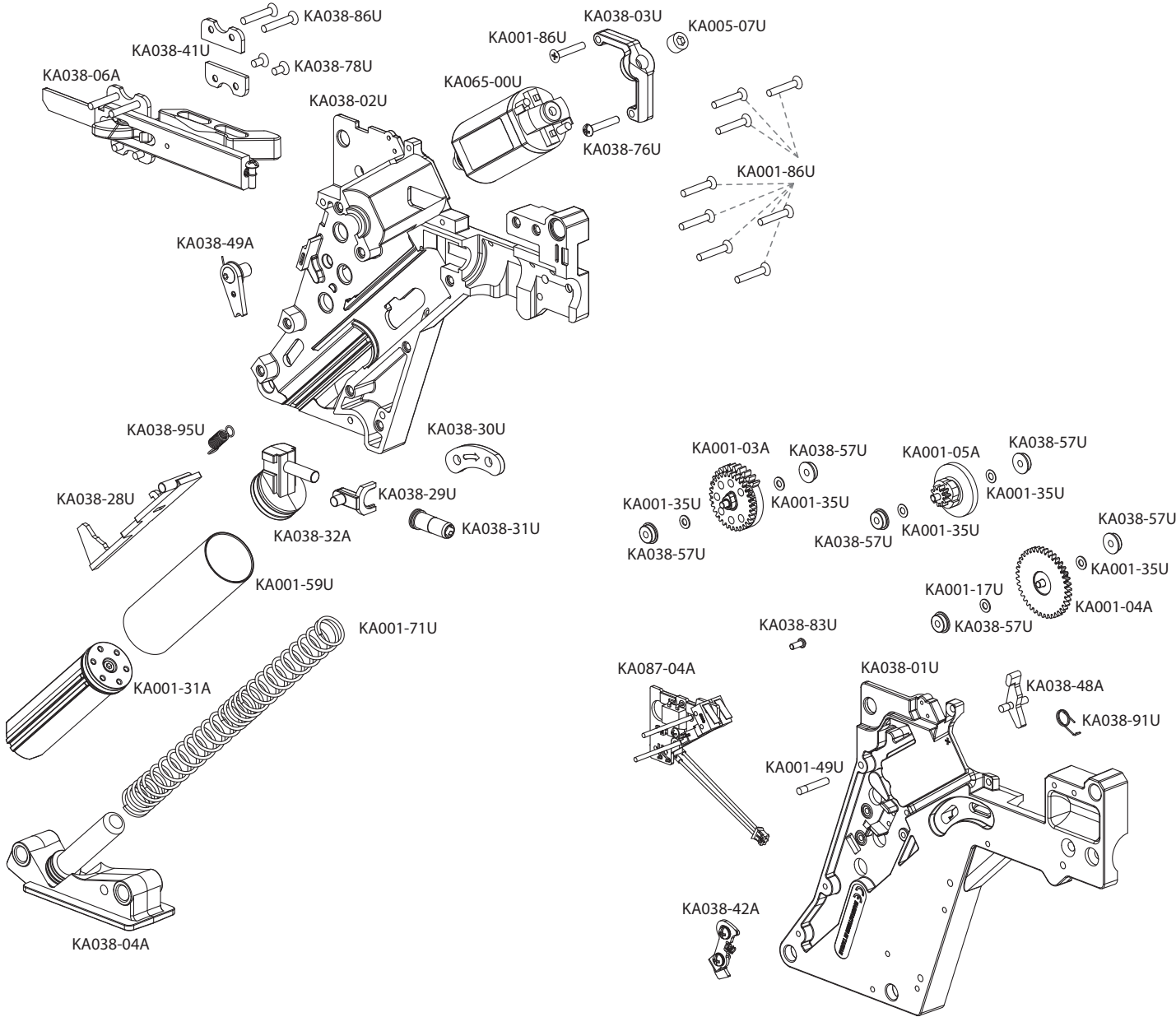


# COMPONENTS DIAGRAM: KRISS VECTOR SMG LIMITED EDITION



# COMPONENTS DIAGRAM: KRISS VECTOR SMG GEARBOX



# COMPONENTS LIST: KRISS VECTOR SMG LIMITED EDITION



PART #	NAME
KA001-03A	SECTOR GEAR
KA001-04A	SPUR GEAR
KA001-05A	BEVEL GEAR
KA001-17U	PISTON HEAD SHIM
KA001-31A	PISTON ASSEMBLY
KA001-35U	SHIM (6)
KA001-49U	ANTI-REVERSE LATCH PIN
KA001-59U	CYLINDER (TYPE 1)
KA001-71U	MAIN SPRING (M120)
KA001-76U	BOLT PLATE LOCK SPRING
KA001-86U	GEARBOX SHELL SCREW (LONG)(11)
KA002-24U	CRUSH WASHER O-RING
KA002-60U	CRUSH WASHER
KA002-62U	HOP-UP OUTER TENSION SPRING
KA005-07U	RETENSION SCREW
KA005-08U	SIDE RAIL SCREW
KA008-01U-OP	FLASH HIDER (ORANGE PLASTIC)
KA008-02U	SET SCREW
KA009-03U	INNER BARREL (280MM)
KA018-01U	HOP CHAMBER
KA018-06U	NUB
KA018-07U	BUCKING
KA018-09U	ADJUSTMENT SPRING
KA018-10U	HOP UP TENSION SPRING
KA018-11U	ADJUSTMENT LEVER PIN
KA018-12U	FRONT BARREL O-RING
KA038-01U	GEARBOX PANEL (RIGHT)
KA038-02U	GEARBOX PANEL (LEFT)

KA038-03U	MOTOR BRACKET
KA038-04A	SPRING PLATE
KA038-06A	CHARGING HANDLE ASSEMBLY
KA038-08A	BOLT CATCH BLOCK ASSEMBLY
KA038-12U	TRIGGER COVER
KA038-16A	BOLT LOCK TRIGGER ASSEMBLY
KA038-17A	TRIGGER HOUSING ASSEMBLY
KA038-19A	EJECTION PORT ASSEMBLY
KA038-21U	SAFETY/SELECTOR LEVER (LEFT)
KA038-22U	SAFETY/SELECTOR LEVER (RIGHT)
KA038-26U	MAGAZINE RELEASE BUTTON
KA038-27U	MAGAZINE RELEASE
KA038-28U	TAPPET PLATE
KA038-29U	TAPPET PLATE ARM
KA038-30U	TAPPET PLATE LINK
KA038-31U	NOZZLE
KA038-32U	CYLINDER HEAD BASE
KA038-35U	LOWER RECIEVER HOUSING
KA038-36U	NOSE CAP
KA038-41U	CHARGING HANDLE COVER (2)
KA038-42A	DISCONNECTOR ASSEMBLY
KA038-45U	TOP RAIL
KA038-46U	BOTTOM RAIL
KA038-47U	SIDE RAIL
KA038-48A	ANTI-REVERSE LATCH (ARL) ASSEMBLY
KA038-49A	ANTI-SECTOR GEAR REVERSE LEVER (ASGRL) ASSEMBLY
KA038-50U	5.5IN BARREL
KA038-55A	BREAK DOWN PIN ASSEMBLY

KA038-57U	STEEL BUSHING
KA038-63U	EXTENDED GRIP COVER
KA038-65U	SECURITY PIN
KA038-66U	SECURITY WASHER
KA038-70U	TRIGGER GROUP HOUSING SCREWS
KA038-72U	SELECTOR SCREWS (4)
KA038-73U	BOLT LOCK BLOCK SCREWS (4)
KA038-75U	BARREL MOUNTING SCREW (5)
KA038-78U	CHARGING HANDLE COVER SCREW (3)
KA038-79U	MAGAZINE RELEASE SCREW (2)
KA038-82U	NOSE CAP SCREW
KA038-83U	SELECTOR BOARD SCREW
KA038-86U	CHARGING SLIDER SPRING
KA038-91U	ANTI-REVERSE LATCH SPRING (ARL SPRING)
KA038-95U	TAPPET PLATE SPRING
KA063-00U	HOP-UP ASSEMBLY
KA063-01U	HOPUP DIAL RETAINER
KA063-02U	HOPUP DIAL
KA063-03U	HOPUP ARM
KA063-04U	BARREL CLIP
KA064-00U	VECTOR MAGAZINE
KA065-00U	MOTOR
KA081-04U	M-LOK HAND GUARD SCREW
KA085-23U	BODY SCREW (8)
KA087-04U	SELECTOR BOARD
KA099-00U	FRONT SIGHT
KA100-00U	REAR SIGHT
KA132-00U	KRISS VECTOR M-LOK HAND GUARD

KA135-00U	KRISS VECTOR TYPE B FOLDING STOCK ADAPTOR
KA136-00U	KRISS VECTOR SLIDING STOCK
KA157-01U	OUTER BARREL
KA157-02U	UPPER RECEIVER HOUSING
KV-00X30	KRISS VECTOR SLING PLATE
12702001	TOP RAIL