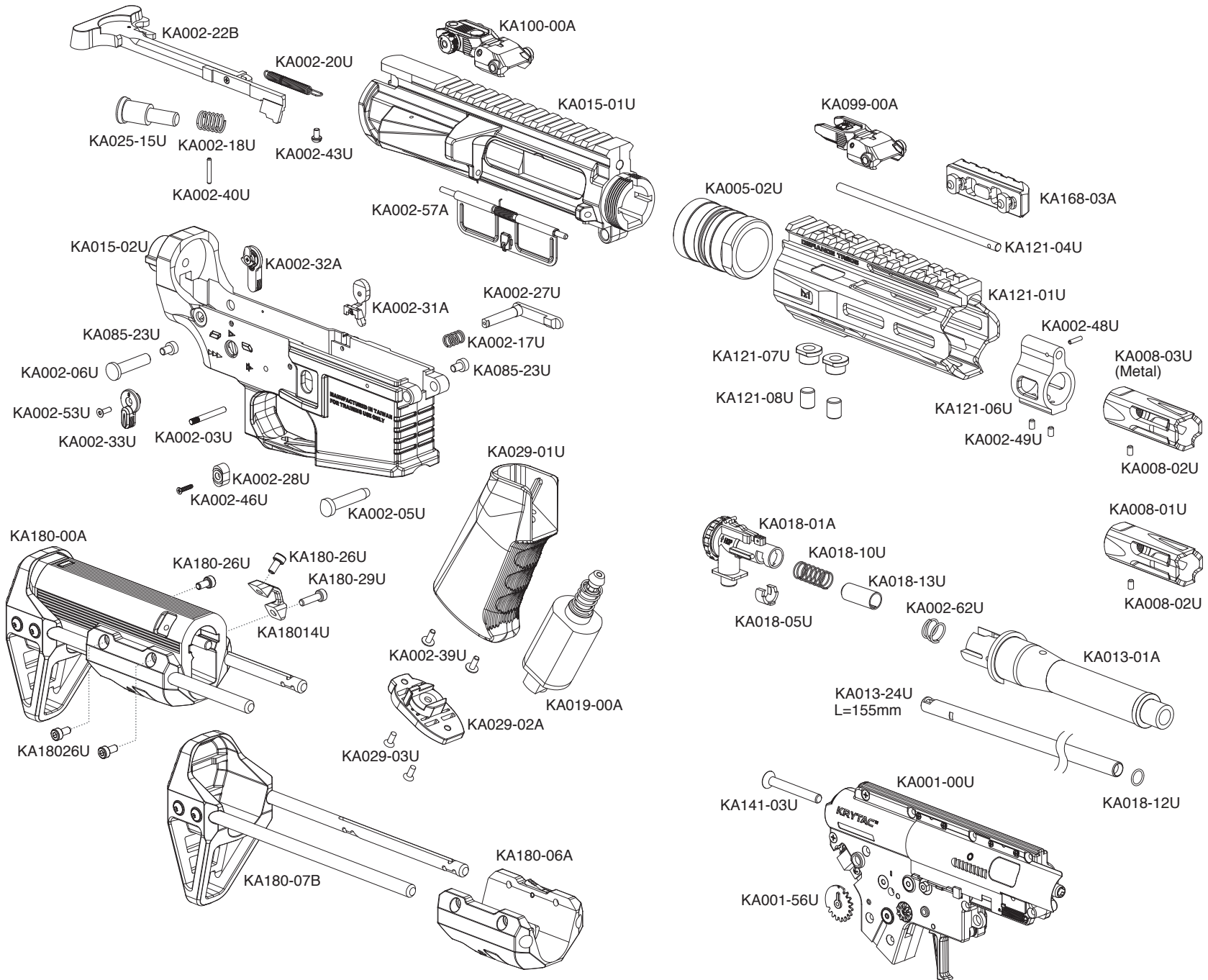
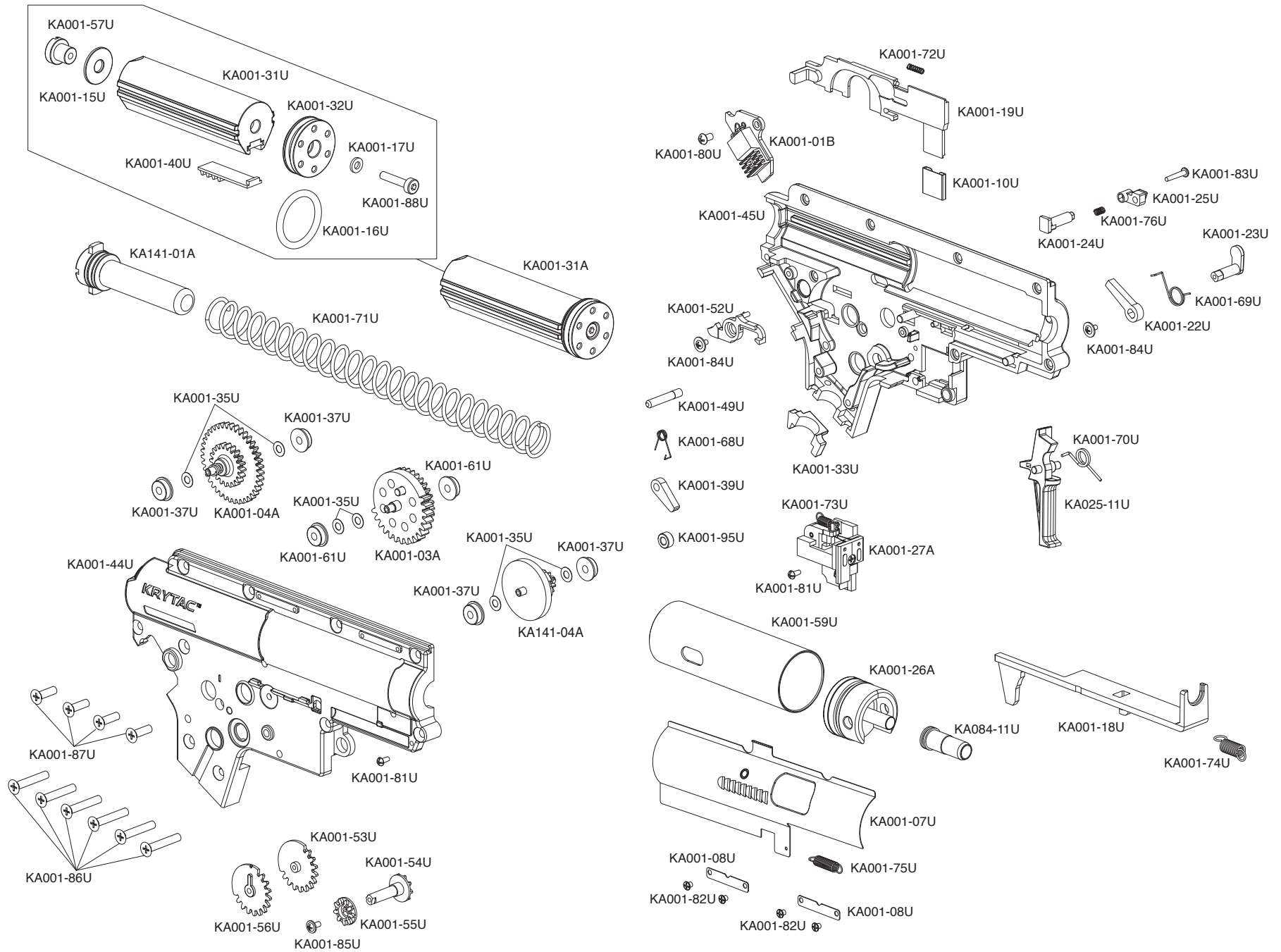


COMPONENTS DIAGRAM: TRIDENT MK2 PDW-M



COMPONENTS DIAGRAM: TRIDENT MK2 PDW-M GEARBOX



COMPONENTS LIST: TRIDENT MK2 PDW-M



PART #	NAME				
KA001-00U	GEARBOX ASSEMBLY	KA001-56U	SELECTOR GEAR (RIGHT)	KA002-06U	REAR RECEIVER PIN
KA001-01B	MOSFET ASSEMBLY	KA001-54U	SELECTOR TRANSFER AXIS GEAR	KA002-17U	MAGAZINE RELEASE SPRING
KA001-03A	SECTOR GEAR	KA001-55U	SELECTOR TRANSFER CAP GEAR	KA002-18U	FORWARD ASSIST SPRING
KA001-04A	SPUR GEAR	KA001-57U	PISTON HEAD NUT	KA002-20U	CHARGING HANDLE SPRING
KA001-07U	BOLT PLATE	KA001-59U	CYLINDER	KA002-22A	CHARGING HANDLE ASSEMBLY
KA001-08U	BOLT PLATE GUIDE	KA001-61U	SECTOR GEAR SPACER	KA002-27U	MAGAZINE RELEASE
KA001-10U	CONTACT (SELECTOR)	KA001-68U	ANTI-REVERSE LATCH SPRING	KA002-28U	MAGAZINE RELEASE BUTTON
KA001-15U	MAIN SPRING SHIM	KA001-69U	SAFETY BLOCK SPRING	KA002-31A	BOLT STOP ASSEMBLY
KA001-16U	PISTON HEAD O-RING	KA001-70U	TRIGGER SPRING	KA002-32A	LEFT SELECTOR ASSEMBLY
KA001-17U	PISTON HEAD SHIM	KA001-71U	MAIN SPRING	KA002-33U	RIGHT SELECTOR
KA001-18U	TAPPET PLATE	KA001-72U	DISCONNECT SPRING	KA002-39U	PISTOL GRIP SCREW (2)
KA001-19U	SELECTOR PLATE	KA001-73U	SWITCH SPRING	KA002-40U	FORWARD ASSIST PIN
KA001-22U	SAFETY BLOCK	KA001-74U	TAPPET PLATE SPRING	KA002-43U	CHARGING HANDLE ANCHOR SCREW
KA001-23U	SAFETY BLOCK LEVER	KA001-75U	BOLT RETURN SPRING	KA002-46U	MAGAZINE RELEASE SCREW
KA001-24U	BOLT PLATE LOCK	KA001-76U	BOLT PLATE LOCK SPRING	KA002-48U	GAS BLOCK PIN
KA001-25U	BOLT PLATE LOCK BUTTON	KA001-80U	MOSFET SCREW	KA002-49U	GAS BLOCK SCREWS (2)
KA001-26A	CYLINDER HEAD ASSEMBLY	KA001-81U	BUTTON MICRO SCREW	KA002-53U	RIGHT SELECTOR SCREW
KA001-27A	SWITCH ASSEMBLY	KA001-82U	BOLT PLATE SCREW (4)	KA002-57A	DUST COVER ASSEMBLY
KA001-31A	PISTON ASSEMBLY	KA001-83U	BOLT PLATE LOCK SCREW	KA002-62U	HOP-UP OUTER TENSION SPRING
KA001-31U	PISTON BODY	KA001-84U	FLAT MICRO SCREW (2)	KA005-02U	BARREL NUT
KA001-32U	PISTON HEAD	KA001-85U	SELECTOR TRANSFER GEAR SCREW	KA008-01U	FLASH HIDER
KA001-33U	WIRING COVER	KA001-86U	GEARBOX SHELL SCREW (LONG)(6)	KA008-02U	SET SCREW
KA001-35U	SHIM (6)	KA001-87U	GEARBOX SHELL SCREW (SHORT)(4)	KA008-03U	FLASH HIDER (METAL)
KA001-37U	BEARING (4)	KA001-88U	PISTON HEAD SCREW	KA013-01A	PDW OUTER BARREL
KA001-39U	ANTI-REVERSE LATCH	KA001-95U	ANTI-RELEASE LATCH BUSHING	KA013-24U	INNER BARREL (155MM)
KA001-40U	PISTON TOOTH RACK	KA002-03U	GEARBOX PIN	KA015-01A	UPPER RECEIVER ASSEMBLY
KA001-44U	GEARBOX SHELL (RIGHT)	KA002-05U	FRONT RECEIVER PIN	KA015-01U	UPPER RECEIVER
KA001-45U	GEARBOX SHELL (LEFT)			KA015-02U	LOWER RECEIVER
KA001-49U	ANTI-REVERSE LATCH PIN			KA018-01A	HOP-UP UNIT ASSEMBLY
KA001-52U	DISCONNECT LEVER			KA018-05U	BARREL CLIP
KA001-53U	SELECTOR GEAR (LEFT)			KA018-10U	TENSION SPRING
				KA018-12U	FRONT BARREL O-RING
				KA018-13U	BUCKING
				KA019-00A	MOTOR
				KA025-11U	TRIGGER
				KA025-15U	FORWARD ASSIST SPRING
				KA029-01U	PISTOL GRIP
				KA029-02A	MOTOR PLATE ASSEMBLY
				KA029-03U	MOTOR PLATE SCREW (2)
				KA084-11U	AIR NOZZLE
				KA085-23U	RECEIVER PIN CAP SCREW (2)
				KA099-00A	FRONT FLIP-UP SIGHT
				KA100-00A	REAR FLIP-UP SIGHT
				KA121-01U	RAIL
				KA121-04U	PDW-M GAS TUBE
				KA121-06U	GAS BLOCK
				KA121-07U	RETENSION NUT (2)
				KA121-08U	RETENSION SCREW (2)
				KA141-01A	SPRING GUIDE ASSEMBLY
				KA141-03U	BUFFER TUBE SCREW
				KA141-04A	BEVEL GEAR
				KA168-03A	M-LOK SIDE RAIL (SHORT)
				KA180-00A	COMPACT CARBINE STOCK (GEN 2)
				KA180-06A	STOCK BODY
				KA180-07B	BUTT STOCK
				KA180-14U	SLING MOUNT
				KA180-26U	STOCK BODY SCREW (4)
				KA180-29U	SLING MOUNT SCREW