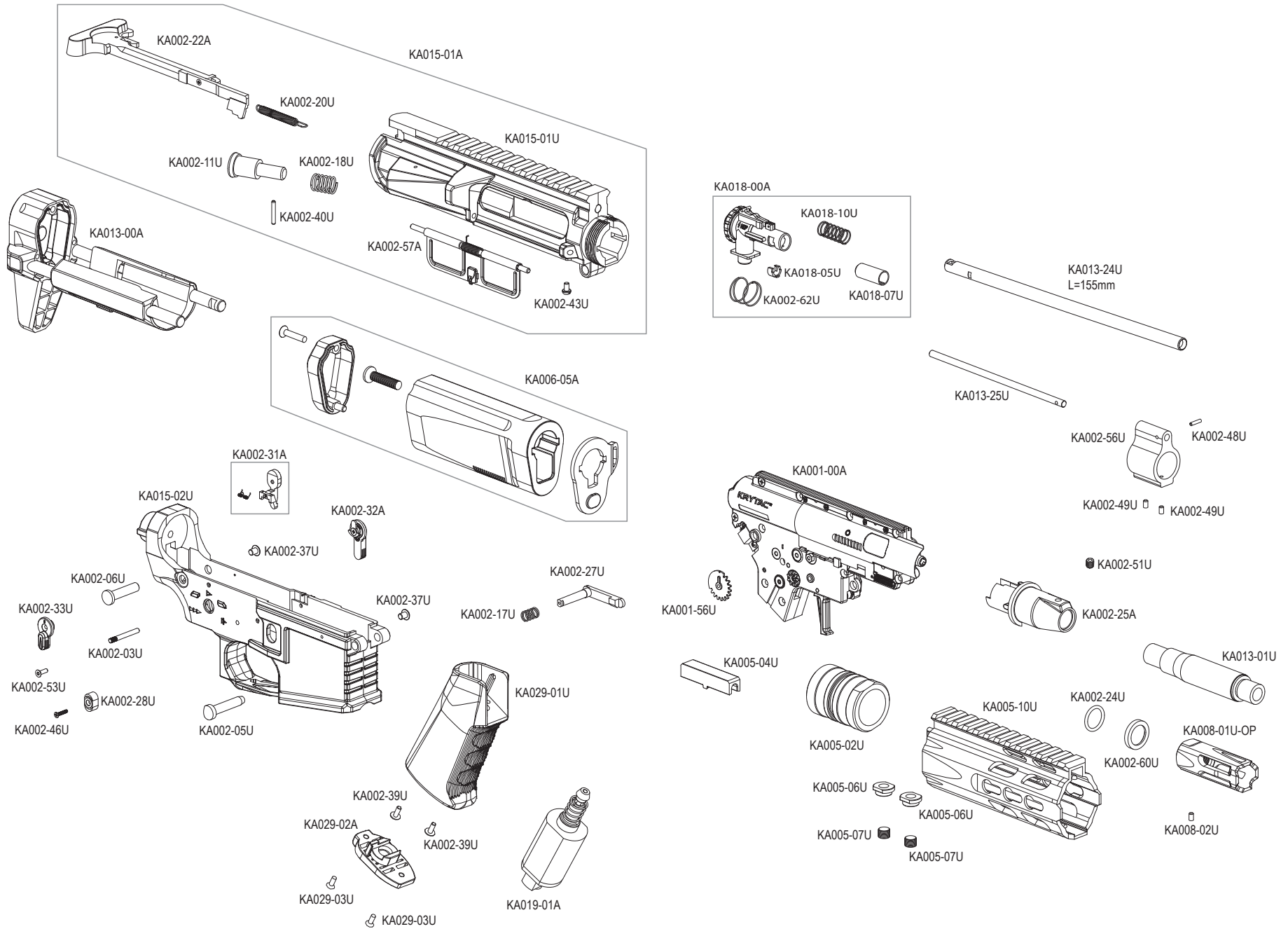
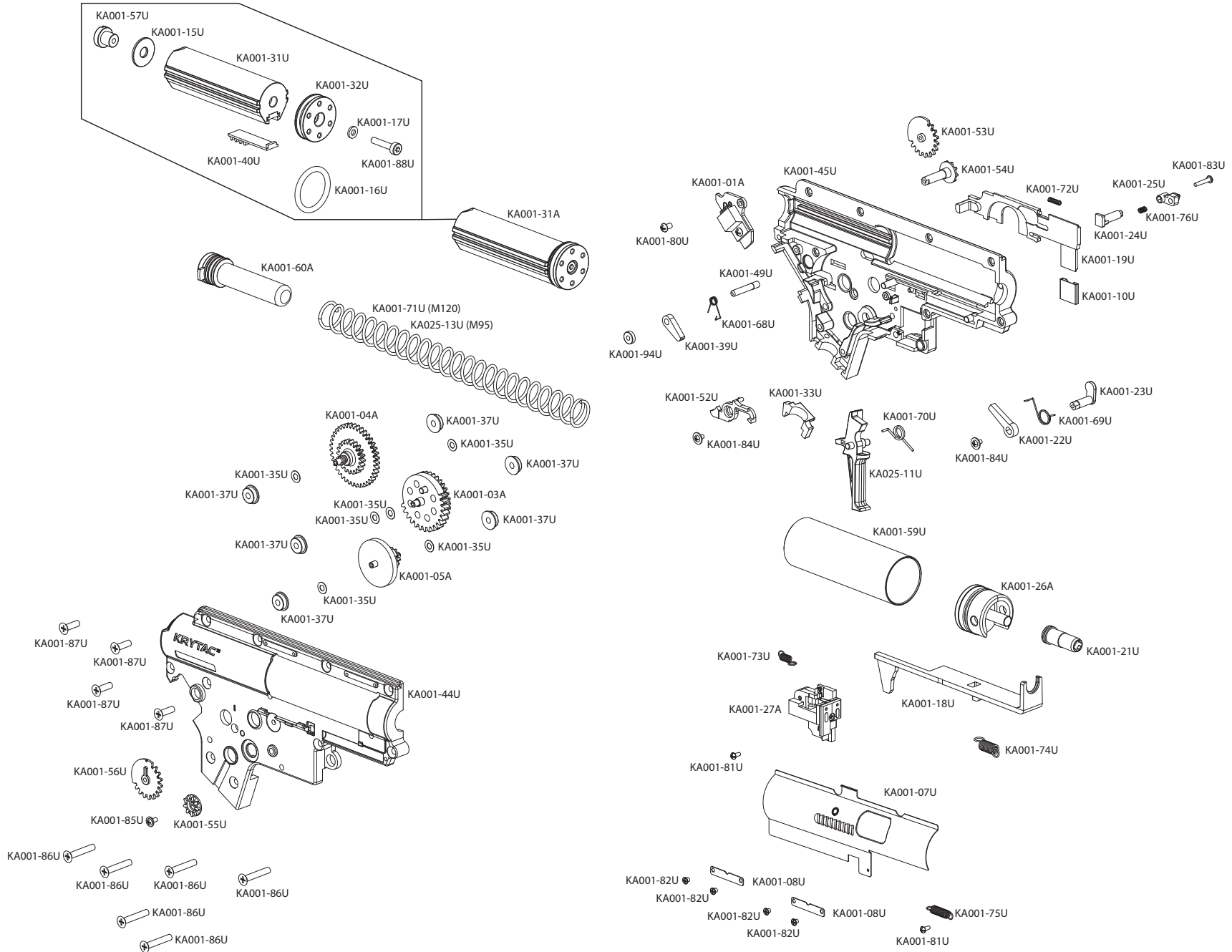


COMPONENTS DIAGRAM: TRIDENT MK2 PDW



COMPONENTS DIAGRAM: TRIDENT MK2 PDW GEARBOX



COMPONENTS LIST: TRIDENT MK2 PDW



PART #	NAME				
KA001-00A	GEARBOX	KA001-52U	DISCONNECT LEVER	KA002-03U	GEARBOX PIN
KA001-01A	MOSFET ASSEMBLY	KA001-53U	SELECTOR GEAR (LEFT)	KA002-05U	FRONT RECEIVER PIN
KA001-03A	SECTOR GEAR	KA001-54U	SELECTOR TRANSFER AXIS GEAR	KA002-06U	REAR RECEIVER PIN
KA001-04A	SPUR GEAR	KA001-55U	SELECTOR TRANSFER CAP GEAR	KA002-11U	FORWARD ASSIST BUTTON
KA001-05A	BEVEL GEAR	KA001-56U	SELECTOR GEAR (RIGHT)	KA002-17U	MAGAZINE RELEASE SPRING
KA001-07U	BOLT PLATE	KA001-57U	PISTON HEAD NUT	KA002-18U	FORWARD ASSIST SPRING
KA001-08U	BOLT PLATE GUIDE (2)	KA001-59U	CYLINDER (TYPE 1)	KA002-20U	CHARGING HANDLE SPRING
KA001-10U	CONTACT (SELECTOR)	KA001-60A	SPRING GUIDE ASSEMBLY	KA002-22A	CHARGING HANDLE ASSEMBLY
KA001-15U	MAIN SPRING SHIM	KA001-68U	ANTI-REVERSE LATCH SPRING	KA002-24U	CRUSH WASHER O-RING
KA001-16U	PISTON HEAD O-RING	KA001-69U	SAFETY BLOCK SPRING	KA002-25U	OUTER BARREL BASE
KA001-17U	PISTON HEAD SHIM	KA001-70U	TRIGGER SPRING	KA002-27U	MAGAZINE RELEASE
KA001-18U	TAPPET PLATE	KA001-71U	MAIN SPRING	KA002-28U	MAGAZINE RELEASE BUTTON
KA001-19U	SELECTOR PLATE	KA001-72U	DISCONNECT SPRING	KA002-31A	BOLT STOP ASSEMBLY
KA001-21U	AIR NOZZLE	KA001-73U	SWITCH SPRING (M120)	KA002-32A	LEFT SELECTOR ASSEMBLY
KA001-22U	SAFETY BLOCK	KA001-74U	TAPPET PLATE SPRING	KA002-33U	RIGHT SELECTOR
KA001-23U	SAFETY BLOCK LEVER	KA001-75U	BOLT RETURN SPRING	KA002-37U	RECEIVER PIN CAP SCREW (2)
KA001-24U	BOLT PLATE LOCK	KA001-76U	BOLT PLATE LOCK SPRING	KA002-39U	PISTOL GRIP SCREW (2)
KA001-25U	BOLT PLATE LOCK BUTTON	KA001-80U	MOSFET SCREW	KA002-40U	FORWARD ASSIST PIN
KA001-26A	CYLINDER HEAD ASSEMBLY	KA001-81U	BUTTON MICRO SCREW	KA002-43U	CHARGING HANDLE ANCHOR SCREW
KA001-27A	SWITCH ASSEMBLY	KA001-82U	BOLT PLATE SCREW (4)	KA002-46U	MAGAZINE RELEASE SCREW
KA001-31A	PISTON ASSEMBLY	KA001-83U	BOLT PLATE LOCK SCREW	KA002-48U	GAS BLOCK PIN
KA001-31U	PISTON	KA001-84U	FLAT MICRO SCREW (2)	KA002-49U	GAS BLOCK SCREWS (2)
KA001-32U	PISTON HEAD	KA001-85U	SELECTOR TRANSFER GEAR SCREW	KA002-51U	OUTER BARREL BASE SCREW
KA001-33U	WIRING COVER	KA001-86U	GEARBOX SHELL SCREW (LONG)(6)	KA002-53U	RIGHT SELECTOR SCREW
KA001-35U	SHIM (6)	KA001-87U	GEARBOX SHELL SCREW (SHORT)(4)	KA002-56U	GAS BLOCK
KA001-37U	BEARING (6)	KA001-88U	PISTON HEAD SCREW	KA002-57A	DUST COVER ASSEMBLY
KA001-39U	ANTI-REVERSE LATCH	KA001-94U	SOLID STEEL BUSHING	KA002-60U	CRUSH WASHER
KA001-40U	PISTON TOOTH RACK			KA002-62U	HOP-UP OUTER TENSION SPRING
KA001-44U	GEARBOX SHELL (RIGHT)			KA005-02U	BARREL NUT
KA001-45U	GEARBOX SHELL (LEFT)			KA005-04U	RAIL KEY
KA001-49U	ANTI-REVERSE LATCH PIN			KA005-06U	RETENSION NUT (2)
				KA005-07U	RETENSION SCREW (2)
				KA005-10U	RAIL 5 INCH
				KA006-05A	SDP BUFFER ASSEMBLY
				KA008-01U	FLASH HIDER
				KA008-02U	SET SCREW
				KA013-00A	COMPACT CARBINE STOCK (CCS)
				KA013-01U	PDW OUTER BARREL
				KA013-24U	INNER BARREL (155MM)
				KA013-25U	PDW GAS TUBE
				KA015-01A	UPPER RECEIVER ASSEMBLY
				KA015-01U	UPPER RECEIVER
				KA015-02U	LOWER RECEIVER
				KA018-01A	HOP-UP UNIT ASSEMBLY
				KA018-05U	BARREL CLIP
				KA018-07U	BUCKING
				KA018-10U	TENSION SPRING
				KA019-01A	MOTOR
				KA025-13U	MAIN SPRING (M95)
				KA029-01U	PISTOL GRIP
				KA029-02A	MOTOR PLATE ASSEMBLY
				KA029-07U	MOTOR PLATE SCREW (2)