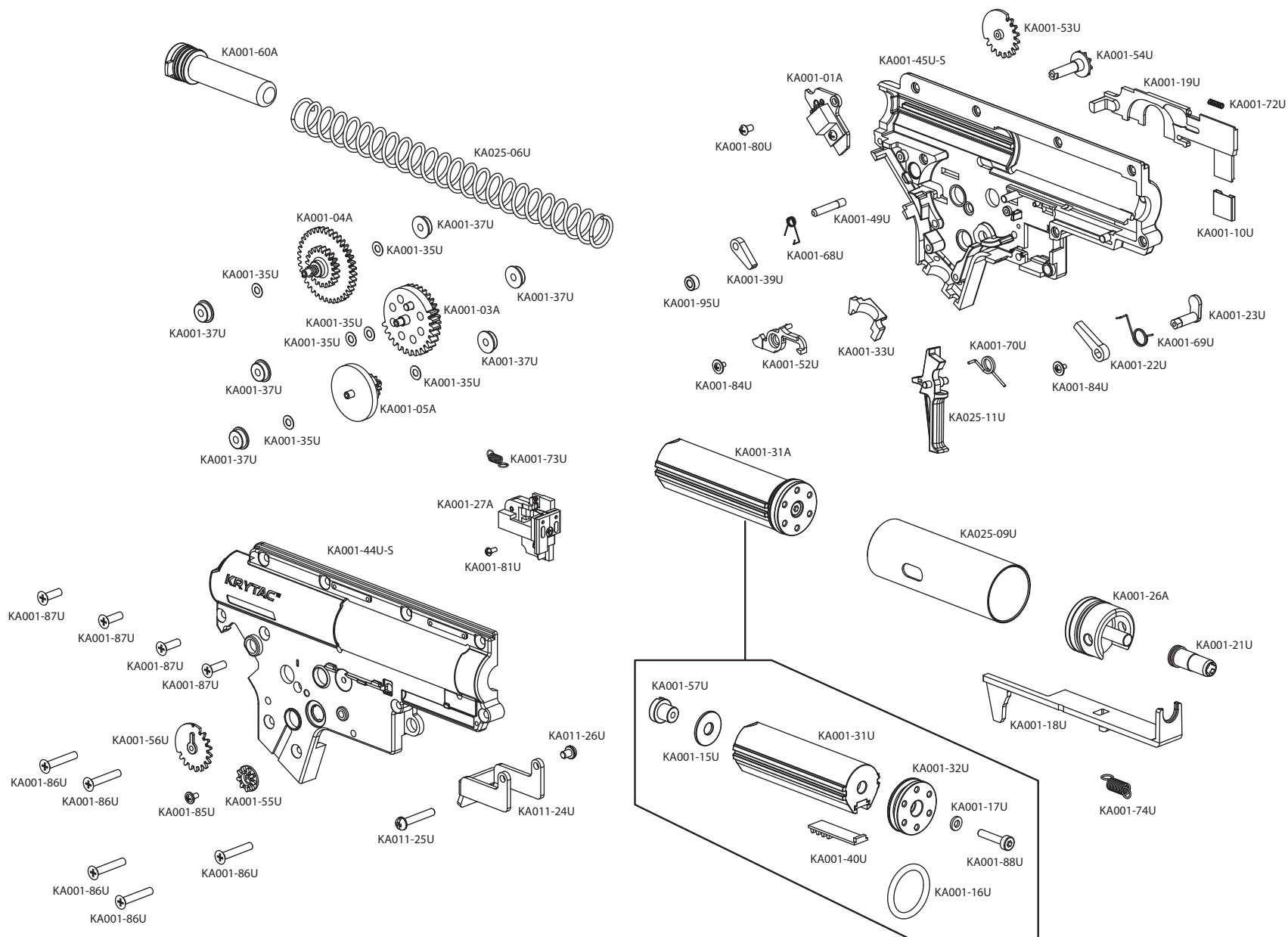




# COMPONENTS DIAGRAM: TRIDENT 47 SPR-M GEARBOX



# COMPONENTS LIST: TRIDENT 47 SPR-M



R.2020.02.21

PART #	NAME	PART #	NAME	PART #	NAME	PART #	NAME
KA001-00U	GEARBOX	KA001-74U	TAPPET PLATE SPRING	KA002-48U	GAS BLOCK PIN	KA011-21U	HOP-UP SCREWS
KA001-01A	MOSFET ASSEMBLY	KA001-80U	MOSFET SCREW	KA002-49U	GAS BLOCK SCREWS (2)	KA011-24U	MAGAZINE BRACKET
KA001-03A	SECTOR GEAR	KA001-81U	BUTTON MICRO SCREW	KA002-51U	OUTER BARREL BASE SCREW	KA011-25U	MAGAZINE BRACKET SCREW (R)
KA001-04A	SPUR GEAR	KA001-84U	FLAT MICRO SCREW (2)	KA002-52U	SELECTOR SCREW	KA011-26U	MAGAZINE BRACKET SCREW (L)
KA001-05A	BEVEL GEAR	KA001-85U	SELECTOR TRANSFER GEAR SCREW	KA002-53U	RIGHT SELECTOR SCREW	KA011-28U	CHARGING HANDLE SPRING (TR47)
KA001-10U	CONTACT (SELECTOR)	KA001-86U	GEARBOX SHELL SCREW (LONG)(6)	KA002-54U	BUFFER TUBE	KA018-02U	ADJUSTMENT CAP
KA001-15U	MAIN SPRING SHIM	KA001-87U	GEARBOX SHELL SCREW (SHORT)(4)	KA002-55U	BUFFER TUBE SCREW CAP	KA018-03U	ADJUSTMENT WHEEL
KA001-16U	PISTON HEAD O-RING	KA001-88U	PISTON HEAD SCREW	KA002-60U	CRUSH WASHER	KA018-04U	ADJUSTMENT LEVER
KA001-17U	PISTON HEAD SHIM	KA001-95U	ANTI-RELEASE LATCH BUSHING	KA002-61U	SELECTOR BALL	KA018-05U	BARREL CLIP
KA001-18U	TAPPET PLATE	KA002-03U	GEARBOX PIN	KA002-62U	HOP UP OUTER TENSION SPRING	KA018-06U	NUB
KA001-19U	SELECTOR PLATE	KA002-06U	REAR RECEIVER PIN	KA002-63U	BARREL BASE PIN	KA018-08U	ADJUSTMENT RETENSION O-RING
KA001-21U	AIR NOZZLE	KA002-10U	CASTLE NUT	KA003-00A	STOCK ASSEMBLY	KA018-09U	ADJUSTMENT SPRING
KA001-22U	SAFETY BLOCK	KA002-14U	SELECTOR DETENTE SPRING	KA003-02U	BUTTPAD	KA018-10U	TENSION SPRING
KA001-23U	SAFETY BLOCK LEVER	KA002-15U	DUST COVER SPRING	KA005-02U	BARREL NUT	KA018-11U	ADJUSTMENT LEVER PIN
KA001-26A	CYLINDER HEAD ASSEMBLY	KA002-16U	DUST COVER E-CLIP	KA008-01U	FLASH HIDER (POLYMER)	KA018-12U	FRONT BARREL O-RING
KA001-27A	SWITCH ASSEMBLY	KA002-18U	FORWARD ASSIST SPRING	KA008-02U	SET SCREW	KA018-13U	BUCKING
KA001-31A	PISTON ASSEMBLY	KA002-22A-TR47	CHARGING HANDLE ASSEMBLY	KA008-03U	FLASH HIDER (METAL)	KA019-00A	MOTOR (30K)
KA001-31U	PISTON BODY	KA002-22U	CHARGING HANDLE	KA010-01U	OUTER BARREL (SPR)	KA121-03U	TR213 RAIL SYSTEM (M-LOK)
KA001-32U	PISTON HEAD	KA002-23U	CHARGING HANDLE LATCH	KA010-02U	OUTER BARREL (SPR) EXTENSION	KA121-05U	GAS TUBE
KA001-33U	WIRING COVER	KA002-24U	CRUSH WASHER O-RING	KA101-03U	INNER BARREL (416MM)	KA121-06U	GAS BLOCK
KA001-35U	SHIM (6)	KA002-25A	OUTER BARREL BASE	KA011-01U	UPPER RECEIVER	KA121-07U	RETENSION NUT (2)
KA001-37U	BEARING	KA002-29B	TRIGGER GUARD ASSEMBLY	KA011-02U	LOWER RECEIVER	KA121-08U	RETENSION SCREW (2)
KA001-39U	ANTI-REVERSE LATCH	KA002-30U	SLING PLATE	KA011-03B	DUST COVER	KA025-06U	MAIN SPRING
KA001-40U	PISTON TOOTH RACK	KA002-32U	LEFT SELECTOR	KA011-05U	MAGAZINE CATCH LEVER	KA025-09U	CYLINDER
KA001-44U-S	GEARBOX SHELL (RIGHT)	KA002-33U	RIGHT SELECTOR	KA011-06U	MAGAZINE CATCH BUTTON	KA025-11U	TRIGGER
KA001-45U-S	GEARBOX SHELL (LEFT)	KA002-34U	SELECTOR LEVER	KA011-07U	MAGAZINE CATCH	KA025-15U	FORWARD ASSIST BUTTON
KA001-49U	ANTI-REVERSE LATCH PIN	KA002-37U	RECEIVER PIN CAP SCREW (2)	KA011-08U	MOCK BOLT STOP (TR47)	KA029-01U	PISTOL GRIP
KA001-52U	DISCONNECT LEVER	KA002-39U	PISTOL GRIP SCREW (2)	KA011-09A	HOP-UP ASSEMBLY	KA029-02A	MOTOR PLATE ASSEMBLY
KA001-53U	SELECTOR GEAR (LEFT)	KA002-40U	FORWARD ASSIST PIN	KA011-09U	HOP-UP BODY (L)	KA029-03U	MOTOR PLATE SCREW (2)
KA001-54U	SELECTOR TRANSFER AXIS GEAR	KA002-41U	CHARGING HANDLE LATCH PIN	KA011-10U	HOP-UP BODY (R)	KA099-00A	FRONT FLIP UP SIGHT
KA001-55U	SELECTOR TRANSFER CAP GEAR	KA002-42U	TRIGGER GUARD PIN	KA011-11U	DUST COVER CATCH (TR47)	KA100-00A	REAR FLIP UP SIGHT
KA001-56U	SELECTOR GEAR (RIGHT)	KA002-43U	CHARGING HANDLE ANCHOR SCREW	KA011-12U	BOLT COVER GUIDE	KA141-03U	BUFFER TUBE SCREW
KA001-57U	PISTON HEAD NUT	KA002-45U	DUST COVER E-CLIP	KA011-13U	BOLT COVER	KA168-03A	M-LOK SIDE RAIL (SHORT)
KA001-60A	SPRING GUIDE ASSEMBLY	KA002-46U	MAGAZINE RELEASE SCREW	KA011-14U	FRONT RECEIVER PIN		
KA001-68U	ANTI-REVERSE LATCH SPRING	KA002-47U	DUST COVER CATCH SCREW	KA011-15U	DUST COVER PIN		
KA001-69U	SAFETY BLOCK SPRING			KA011-16U	MAGAZINE CATCH PIN		
KA001-70U	TRIGGER SPRING			KA011-17U	MAGAZINE CATCH LEVER SPRING		
KA001-72U	DISCONNECT SPRING			KA011-18U	MAGAZINE CATCH SPRING		
KA001-73U	SWITCH SPRING			KA011-20U	DUST COVER SCREW		