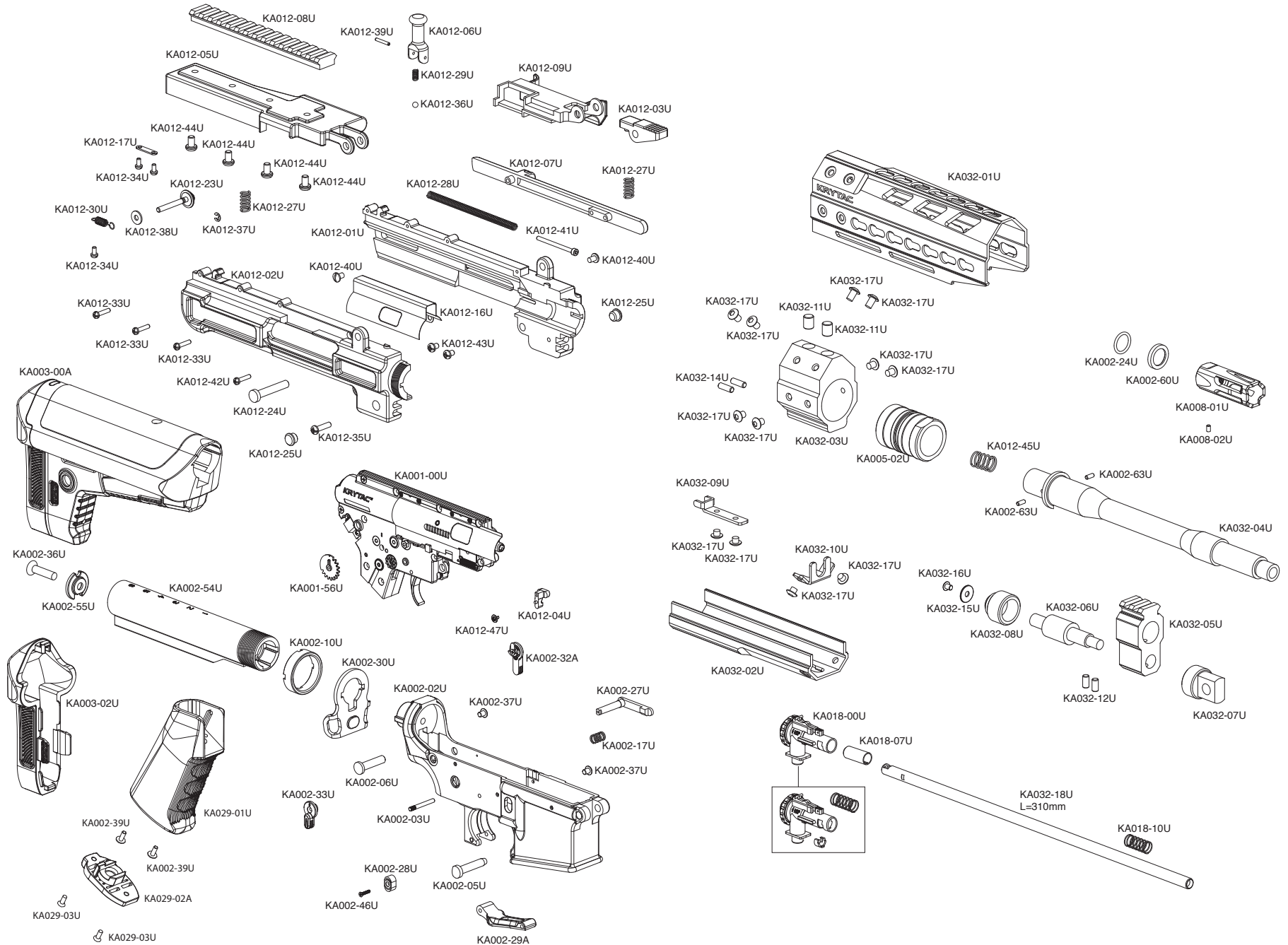


# COMPONENTS DIAGRAM: TRIDENT LMG ENHANCED





# COMPONENTS LIST: TRIDENT LMG ENHANCED



R.2020.02.21

PART #	NAME				
KA001-00U	GEARBOX	KA001-56U	SELECTOR GEAR (RIGHT)	KA002-39U	PISTOL GRIP SCREW
KA001-01A	MOSFET ASSEMBLY	KA001-57U	PISTON HEAD NUT	KA002-46U	MAGAZINE RELEASE SCREW
KA001-03A	SECTOR GEAR	KA001-59U	CYLINDER	KA002-53U	RIGHT SELECTOR SCREW
KA001-04A	SPUR GEAR	KA001-60A	SPRING GUIDE ASSEMBLY	KA002-54U	BUFFER TUBE
KA001-05A	BEVEL GEAR	KA001-68U	ANTI-REVERSE LATCH SPRING	KA002-55U	BUFFER TUBE SCREW CAP
KA001-10U	CONTACT (SELECTOR)	KA001-69U	SAFETY BLOCK SPRING	KA002-60U	CRUSH WASHER
KA001-15U	MAIN SPRING SHIM	KA001-70U	TRIGGER SPRING	KA002-63U	BARREL BASE PIN (2)
KA001-16U	PISTON HEAD O-RING	KA001-71U	MAIN SPRING	KA003-00A	STOCK ASSEMBLY
KA001-17U	PISTON HEAD SHIM	KA001-72U	DISCONNECT SPRING	KA003-02U	BUTTPAD
KA001-18U	TAPPET PLATE	KA001-73U	SWITCH SPRING	KA005-02U	BARREL NUT
KA001-19U	SELECTOR PLATE	KA001-74U	TAPPET PLATE SPRING	KA008-01U	FLASH HIDER
KA001-21U	AIR NOZZLE	KA001-84U	FLAT MICRO SCREW (2)	KA008-02U	SET SCREW
KA001-22U	SAFETY BLOCK	KA001-85U	SELECTOR TRANSFER GEAR SCREW	KA012-01U	RECEIVER PANEL (LEFT)
KA001-23U	SAFETY BLOCK LEVER	KA001-86U	GEARBOX SHELL SCREW (LONG) (6)	KA012-02U	RECEIVER PANEL (RIGHT)
KA001-26A	CYLINDER HEAD ASSEMBLY	KA001-87U	GEARBOX SHELL SCREW (SHORT)(4)	KA012-03U	MOCK RELEASE LEVER
KA001-27A	SWITCH ASSEMBLY	KA001-88U	PISTON HEAD SCREW	KA012-04U	LMG BOLT RELEASE
KA001-31A	PISTON ASSEMBLY	KA001-95U	ANTI-RELEASE LATCH BUSHING	KA012-05U	LMG DUST COVER
KA001-31U	PISTON BODY	KA002-02U	LOWER RECEIVER	KA012-06U	LMG CHARGING HANDLE
KA001-32U	PISTON HEAD	KA002-03U	GEARBOX PIN	KA012-07U	CHARGING SLIDE
KA001-33U	WIRING COVER	KA002-05U	FRONT RECEIVER PIN	KA012-08U	LMG RAILS
KA001-35U	SHIM (6)	KA002-06U	REAR RECEIVER PIN	KA012-09U	LMG FEED TRAY
KA001-37U	BEARING	KA002-10U	CASTLE NUT	KA012-16U	MOCK BOLT COVER
KA001-39U	ANTI-REVERSE LATCH	KA002-17U	MAGAZINE RELEASE SPRING	KA012-17U	DUST COVER RELEASE PLATE
KA001-40U	PISTON TOOTH RACK	KA002-24U	CRUSH WASHER O-RING	KA012-23U	DUST COVER RELEASE
KA001-44U	GEARBOX SHELL (RIGHT)	KA002-27U	MAGAZINE RELEASE	KA012-24U	LMG DUST COVER PIN
KA001-45U	GEARBOX SHELL (LEFT)	KA002-28U	MAGAZINE RELEASE BUTTON	KA012-25U	RECEIVER PANEL CROSSBOLT CAPS
KA001-49U	ANTI-REVERSE LATCH PIN	KA002-29A	TRIGGER GUARD ASSEMBLY	KA012-27U	LMG DUST COVER SPRING
KA001-50U	TRIGGER	KA002-30U	SLING PLATE	KA012-28U	CHARGING SLIDE SPRING
KA001-52U	DISCONNECT LEVER	KA002-32A	LEFT SELECTOR ASSEMBLY	KA012-29U	CHARGING HANDLE SPRING
KA001-53U	SELECTOR GEAR (LEFT)	KA002-33U	RIGHT SELECTOR	KA012-30U	DUST COVER RELEASE SPRING
KA001-54U	SELECTOR TRANSFER AXIS GEAR	KA002-36U	BUFFER TUBE SCREW	KA012-33U	RECEIVER PANEL TOP SCREWS
KA001-55U	SELECTOR TRANSFER CAP GEAR	KA002-37U	RECEIVER PIN SCREW CAP (2)	KA012-34U	DUST COVER RELEASE SCREWS
				KA012-35U	RECEIVER PANEL CROSSBOLT SCREW
				KA012-36U	CHARGING HANDLE DETENTE BALL
				KA012-37U	DUST COVER RELEASE CLIP
				KA012-38U	DUST COVER RELEASE WASHER
				KA012-39U	CHARGING HANDLE PIN
				KA012-40U	BATTERY TRAY SCREWS
				KA012-41U	CHARGING SPRING GUIDE
				KA012-42U	RECEIVER PANEL SHORT SCREW
				KA012-43U	BOLT COVER SCREWS
				KA012-44U	DUST COVER SCREWS
				KA012-45U	HOP-UP TENSION SPRING
				KA012-47U	BOLT RELEASE SCREW
				KA018-00U	HOP-UP ASSEMBLY
				KA018-07U	BUCKING
				KA018-10U	TENSION SPRING
				KA029-01U	PISTOL GRIP
				KA029-02A	MOTOR PLATE ASSEMBLY
				KA029-03U	MOTOR PLATE SCREW
				KA032-01U	UPPER HANDGUARD
				KA032-02U	LOWER HANDGUARD
				KA032-03U	HANDGUARD SPACER
				KA032-04U	OUTER BARREL
				KA032-05U	GAS BLOCK
				KA032-06U	GAS ROD
				KA032-07U	GAS NUT
				KA032-08U	HANDGUARD NUT
				KA032-09U	HANDGUARD HOOK
				KA032-10U	HANDGUARD LOCK
				KA032-11U	BARREL NUT SCREWS (2)
				KA032-12U	GAS BLOCK SCREWS (2)
				KA032-14U	BARREL NUT PINS (2)
				KA032-15U	HANDGUARD WASHER
				KA032-16U	GAS ROD SCREW
				KA032-17U	HANDGUARD SCREWS (12)
				KA032-18U	INNER BARREL (310 MM)