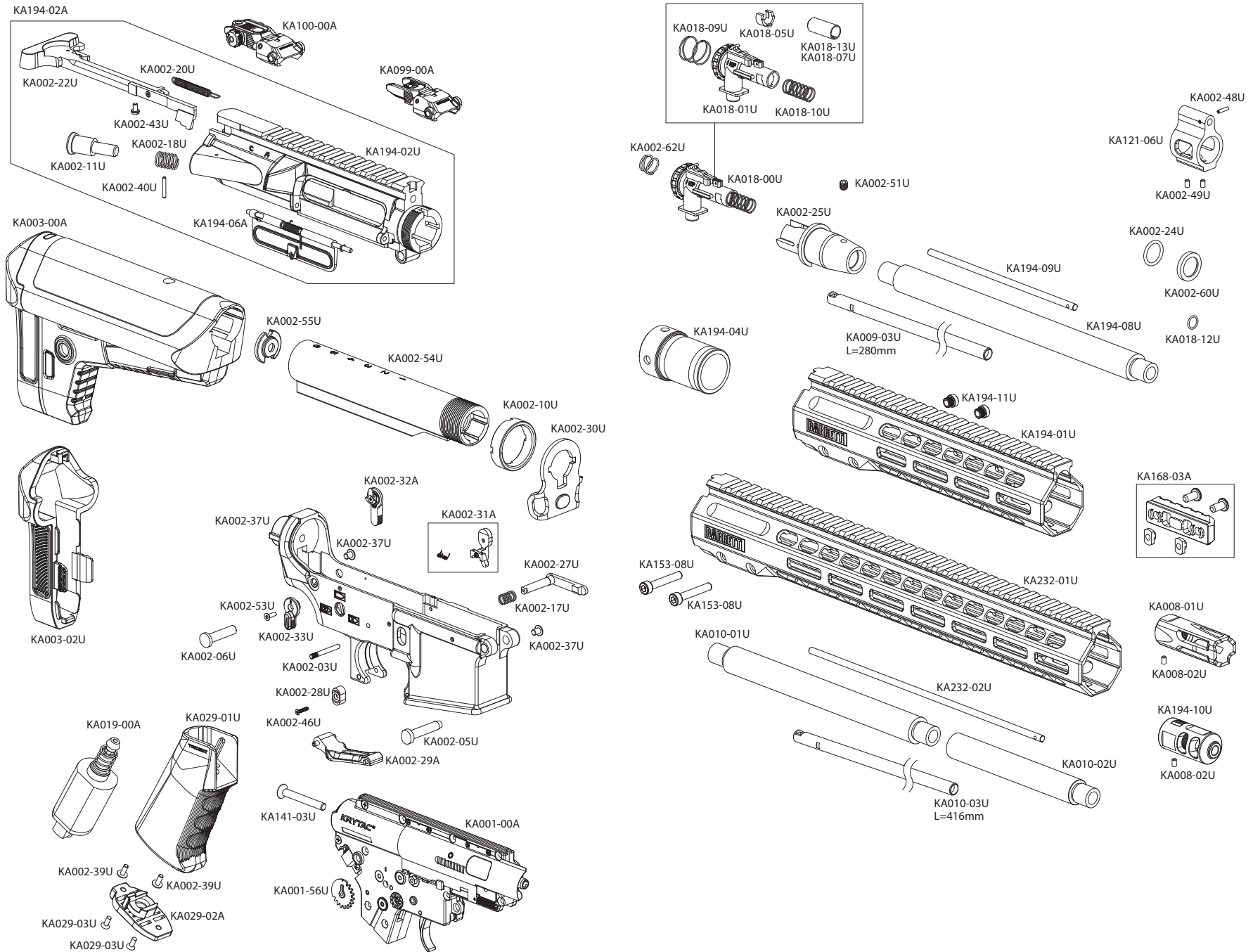


COMPONENTS DIAGRAM: BARRETT REC7 DI SBR + CARBINE



COMPONENTS LIST: BARRETT REC7 DI SBR + CARBINE



PART #	NAME
KA001-00U	GEARBOX
KA001-03A	SECTOR GEAR
KA001-04A	SPUR GEAR
KA001-05A	BEVEL GEAR
KA001-07U	BOLT PLATE
KA001-08U	BOLT PLATE GUIDE (2)
KA001-10U	CONTACT (SELECTOR)
KA001-16U	PISTON HEAD O-RING
KA001-17U	PISTON HEAD SHIM
KA001-18U	TAPPET PLATE
KA001-19U	SELECTOR PLATE
KA001-22U	SAFETY BLOCK
KA001-23U	SAFETY BLOCK LEVER
KA001-24U	BOLT PLATE LOCK
KA001-25U	BOLT PLATE LOCK BUTTON
KA001-26A	CYLINDER HEAD ASSEMBLY
KA001-27A	SWITCH ASSEMBLY
KA001-31A	PISTON ASSEMBLY
KA001-31U	PISTON BODY
KA001-32U	PISTON HEAD
KA001-33U	WIRING COVER
KA001-35U	SHIM (6)
KA001-37U	BEARING
KA001-39U	ANTI-REVERSE LATCH
KA001-40U	PISTON TOOTH RACK
KA001-44U	GEARBOX SHELL (RIGHT)
KA001-45U	GEARBOX SHELL (LEFT)
KA001-49U	ANTI-REVERSE LATCH PIN
KA001-50U	TRIGGER
KA001-52U	DISCONNECT LEVER
KA001-56U	SELECTOR GEAR (RIGHT)
KA001-57U	PISTON HEAD NUT
KA001-68U	ANTI-REVERSE LATCH SPRING
KA001-69U	SAFETY BLOCK SPRING

KA001-70U	TRIGGER SPRING
KA001-71U	MAIN SPRING (M120)
KA001-72U	DISCONNECT SPRING
KA001-73U	SWITCH SPRING
KA001-74U	TAPPET PLATE SPRING
KA001-75U	BOLT RETURN SPRING
KA001-76U	BOLT PLATE LOCK SPRING
KA001-81U	BUTTON MICRO SCREW
KA001-82U	BOLT PLATE SCREW (4)
KA001-83U	BOLT PLATE LOCK SCREW
KA001-84U	FLAT MICRO SCREW (2)
KA001-86U	GEARBOX SHELL SCREW (LONG)(6)
KA001-87U	GEARBOX SHELL SCREW (SHORT)(4)
KA001-88U	PISTON HEAD SCREW
KA001-95U	ANTI-RELEASE LATCH BUSHING
KA002-03U	GEARBOX PIN
KA002-05U	FRONT RECEIVER PIN
KA002-06U	REAR RECEIVER PIN
KA002-10U	CASTLE NUT
KA002-11U	FORWARD ASSIST BUTTON
KA002-17U	MAGAZINE RELEASE SPRING
KA002-18U	FORWARD ASSIST SPRING
KA002-20U	CHARGING HANDLE SPRING
KA002-22U	CHARGING HANDLE ASSEMBLY
KA002-24U	CRUSH WASHER O-RING
KA002-25U	OUTER BARREL BASE
KA002-27U	MAGAZINE RELEASE
KA002-28U	MAGAZINE RELEASE BUTTON
KA002-29A	TRIGGER GUARD
KA002-30U	SLING PLATE
KA002-31A	BOLT STOP ASSEMBLY
KA002-32A	LEFT SELECTOR ASSEMBLY

KA002-33U	RIGHT SELECTOR
KA002-37U	RECEIVER PIN CAP SCREW (2)
KA002-39U	PISTOL GRIP SCREW (2)
KA002-40U	FORWARD ASSIST PIN
KA002-43U	CHARGING HANDLE ANCHOR SCREW
KA002-46U	MAGAZINE RELEASE SCREW
KA002-48U	GAS BLOCK PIN
KA002-49U	GAS BLOCK SCREWS (2)
KA002-51U	OUTER BARREL BASE SCREW
KA002-53U	RIGHT SELECTOR SCREW
KA002-54U	BUFFER TUBE
KA002-55U	BUFFER TUBE SCREW CAP
KA002-60U	CRUSH WASHER
KA002-62U	HOP-UP OUTER TENSION SPRING
KA003-00A	STOCK ASSEMBLY
KA003-02U	BUTTPAD
KA008-01U	MUZZEL BREAK
KA008-02U	SET SCREW
KA009-03U	INNER BARREL (SRB 280MM)
KA010-01U	OUTER BARREL (CARBINE)
KA010-02U	OUTER BARRELL (CARBINE)
KA010-03U	INNER BARRE (CARBINE 416MM)
KA018-00U	HOP-UP UNIT CHAMBER ASSEMBLY
KA018-01U	HOP-UP CHAMBER
KA018-05U	BARREL CLIP
KA018-09U	ADJUSTMENT SPRING
KA018-10U	TENSION SPRING
KA018-12U	FRONT BARREL O-RING
KA018-13U	BUCKING
KA019-00A	MOTOR
KA025-06U	MAIN SPRING (M100)

KA025-08U	MAIN SPRING (M90)
KA029-01U	PISTOL GRIP
KA029-02A	MOTOR PLATE ASSEMBLY
KA029-03U	MOTOR PLATE SCREW (2)
KA084-11A	ATOMOS CNC NOZZLE
KA099-00A	FRONT SIGHT ASSEMBLY
KA100-00A	REAR SIGHT ASSEMBLY
KA121-06U	GAS BLOCK
KA141-01A	SPRING GUIDE ASSEMBLY
KA141-03U	BUFFER TUBE SCREW
KA153-08U	RETENSION SCREW (2)
KA168-03A	M-LOK SIDE RAIL (SHORT)
KA194-01U	RAIL (SBR)
KA194-02A	UPPER RECEIVER ASSEMBLY
KA194-02U	UPPER RECEIVER
KA194-03U	LOWER RECEIVER
KA194-04U	BARREL NUT
KA194-06A	DUST COVER ASSEMBLY
KA194-08U	OUTER BARRE (SBR)
KA194-09U	GAS TUBE (SBR)
KA194-10U	MUZZEL BREAK (METAL)
KA194-11U	RETENSION NUT (2)
KA232-01U	RAIL (CARBINE)
KA232-02U	GAS TUBE (CARBINE)