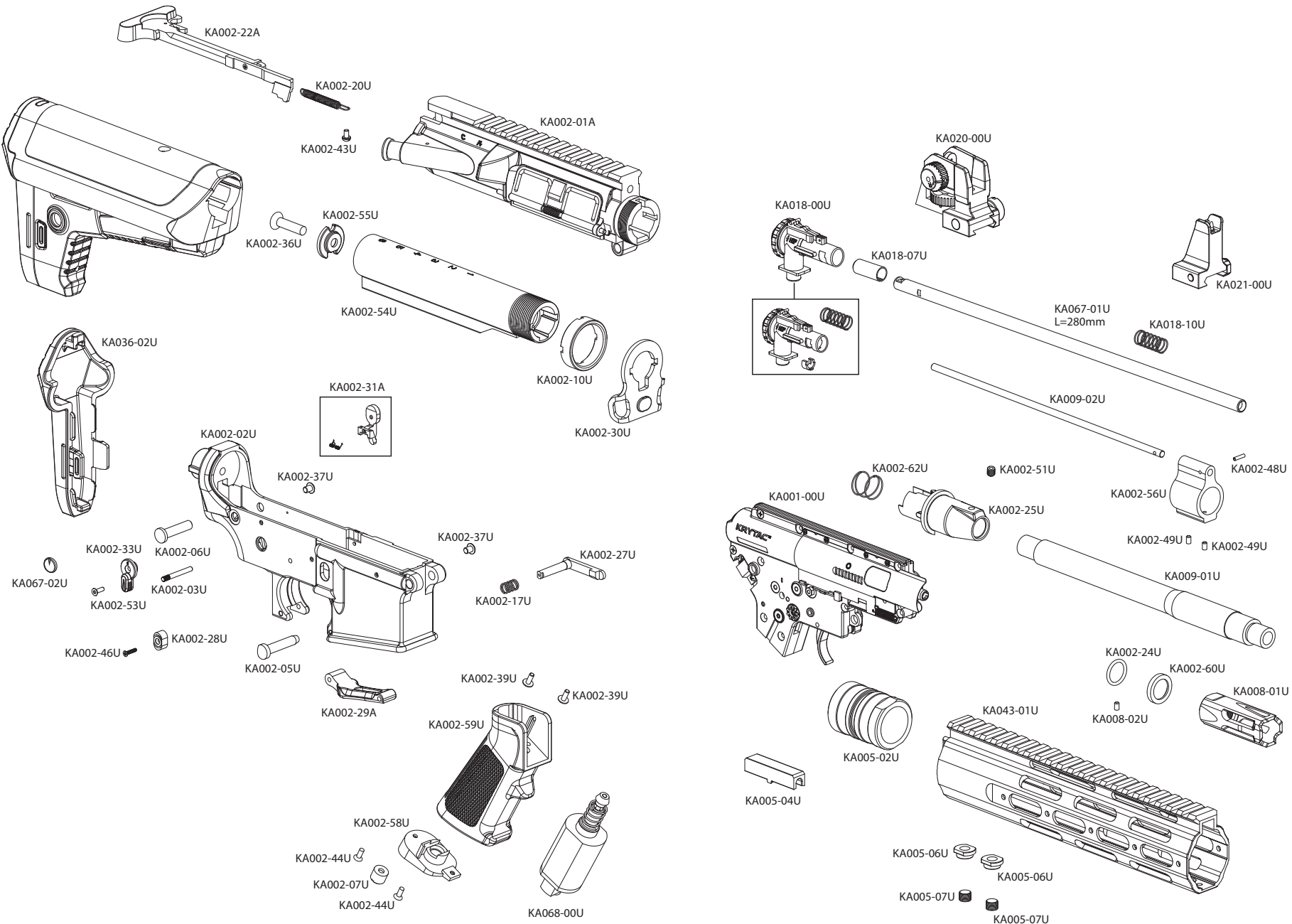


COMPONENTS DIAGRAM: ALPHA CRB



R.2020.02.21



COMPONENTS LIST: ALPHA CRB



PART #	NAME				
KA001-00U	GEARBOX	KA001-57U	PISTON HEAD NUT	KA002-28U	MAGAZINE RELEASE BUTTON
KA001-03A	SECTOR GEAR	KA001-60A	SPRING GUIDE ASSEMBLY	KA002-29A	TRIGGER GUARD ASSEMBLY
KA001-04A	SPUR GEAR	KA001-68U	ANTI-REVERSE LATCH SPRING	KA002-30U	SLING PLATE
KA001-05A	BEVEL GEAR	KA001-69U	SAFETY BLOCK SPRING	KA002-31A	BOLT STOP ASSEMBLY
KA001-07U	BOLT PLATE	KA001-70U	TRIGGER SPRING	KA002-33U	RIGHT SELECTOR
KA001-08U	BOLT PLATE GUIDE (2)	KA001-72U	DISCONNECT SPRING	KA002-36U	BUFFER TUBE SCREW
KA001-10U	CONTACT (SELECTOR)	KA001-73U	SWITCH SPRING	KA002-37U	RECEIVER PIN CAP SCREW (2)
KA001-16U	PISTON HEAD O-RING	KA001-74U	TAPPET PLATE SPRING	KA002-39U	PISTOL GRIP SCREW (2)
KA001-17U	PISTON HEAD SHIM	KA001-75U	BOLT RETURN SPRING	KA002-43U	CHARGING HANDLE ANCHOR SCREW
KA001-18U	TAPPET PLATE	KA001-76U	BOLT PLATE LOCK SPRING	KA002-44U	MOTOR PLATE SCREW (2)
KA001-19U	SELECTOR PLATE	KA001-81U	BUTTON MICRO SCREW	KA002-46U	MAGAZINE RELEASE SCREW
KA001-21U	AIR NOZZLE	KA001-82U	BOLT PLATE SCREW (4)	KA002-48U	GAS BLOCK PIN
KA001-22U	SAFETY BLOCK	KA001-83U	BOLT PLATE LOCK SCREW	KA002-49U	GAS BLOCK SCREWS (2)
KA001-23U	SAFETY BLOCK LEVER	KA001-84U	FLAT MICRO SCREW (2)	KA002-51U	OUTER BARREL BASE SCREW
KA001-24U	BOLT PLATE LOCK	KA001-86U	GEARBOX SHELL SCREW (LONG)(6)	KA002-53U	RIGHT SELECTOR SCREW
KA001-25U	BOLT PLATE LOCK BUTTON	KA001-87U	GEARBOX SHELL SCREW (SHORT)(4)	KA002-54U	BUFFER TUBE
KA001-26A	CYLINDER HEAD ASSEMBLY	KA001-88U	PISTON HEAD SCREW	KA002-55U	BUFFER TUBE SCREW CAP
KA001-27A	SWITCH ASSEMBLY	KA001-95U	ANTI-RELEASE LATCH BUSHING	KA002-56U	GAS BLOCK
KA001-31A	PISTON ASSEMBLY	KA002-01U	UPPER RECEIVER	KA002-58A	MOTOR PLATE ASSEMBLY
KA001-31U	PISTON BODY	KA002-02U	LOWER RECEIVER	KA002-59U	PISTOL GRIP
KA001-32U	PISTON HEAD	KA002-03U	GEARBOX PIN	KA002-60U	CRUSH WASHER
KA001-33U	WIRING COVER	KA002-05U	FRONT RECEIVER PIN	KA005-02U	BARREL NUT
KA001-35U	SHIM (6)	KA002-06U	REAR RECEIVER PIN	KA005-04U	RAIL KEY
KA001-37U	BEARING	KA002-10U	CASTLE NUT	KA005-06U	RETENSION NUT (2)
KA001-39U	ANTI-REVERSE LATCH	KA002-17U	MAGAZINE RELEASE SPRING	KA005-07U	RETENSION SCREW (2)
KA001-40U	PISTON TOOTH RACK	KA002-20U	CHARGING HANDLE SPRING	KA008-01U	FLASH HIDER
KA001-44U	GEARBOX SHELL (RIGHT)	KA002-22A	CHARGING HANDLE ASSEMBLY	KA008-02U	SET SCREW
KA001-45U	GEARBOX SHELL (LEFT)	KA002-24U	CRUSH WASHER O-RING	KA009-01U	OUTER BARREL
KA001-49U	ANTI-REVERSE LATCH PIN	KA002-25U	OUTER BARREL BASE	KA009-02U	GAS TUBE
KA001-50U	TRIGGER	KA002-27U	MAGAZINE RELEASE	KA018-00U	HOP-UP CHAMBER ASSEMBLY
KA001-52U	DISCONNECT LEVER			KA018-07U	BUCKING
				KA018-10U	TENSION SPRING
				KA020-00U	REAR SIGHT ASSEMBLY
				KA021-00U	FRONT SIGHT ASSEMBLY
				KA018-00U	HOP-UP CHAMBER ASSEMBLY
				KA018-07U	BUCKING
				KA018-10U	TENSION SPRING
				KA020-00U	REAR SIGHT ASSEMBLY
				KA021-00U	FRONT SIGHT ASSEMBLY
				KA025-08U	MAIN SPRING
				KA025-09U	CYLINDER
				KA036-02U	BUTTPAD
				KA043-01U	RAIL
				KA067-01U	INNER BARREL (280MM)
				KA067-02U	SELECTOR CAP
				KA068-00U	MOTOR