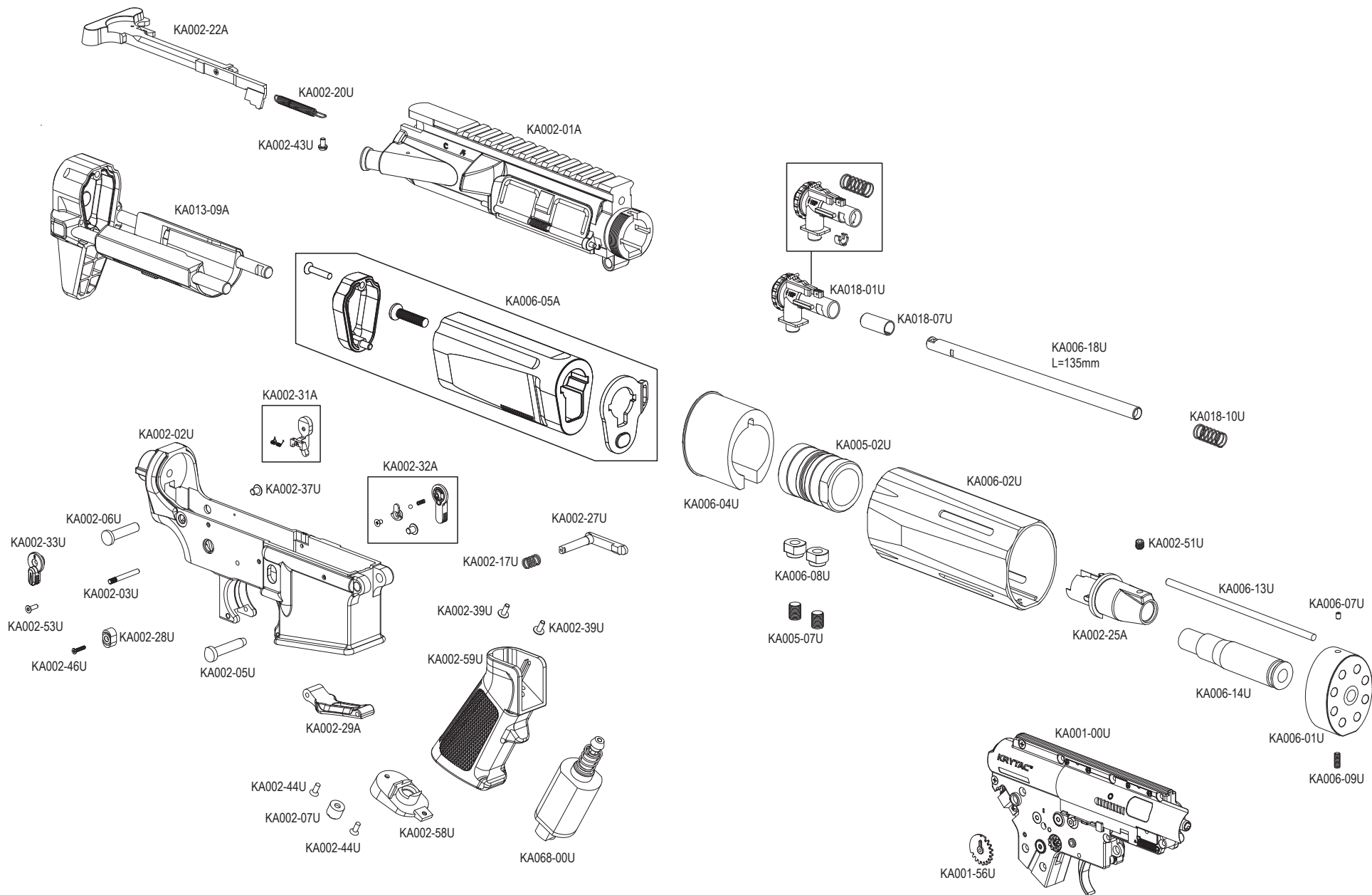


COMPONENTS DIAGRAM: ALPHA SDP



R.2020.02.21

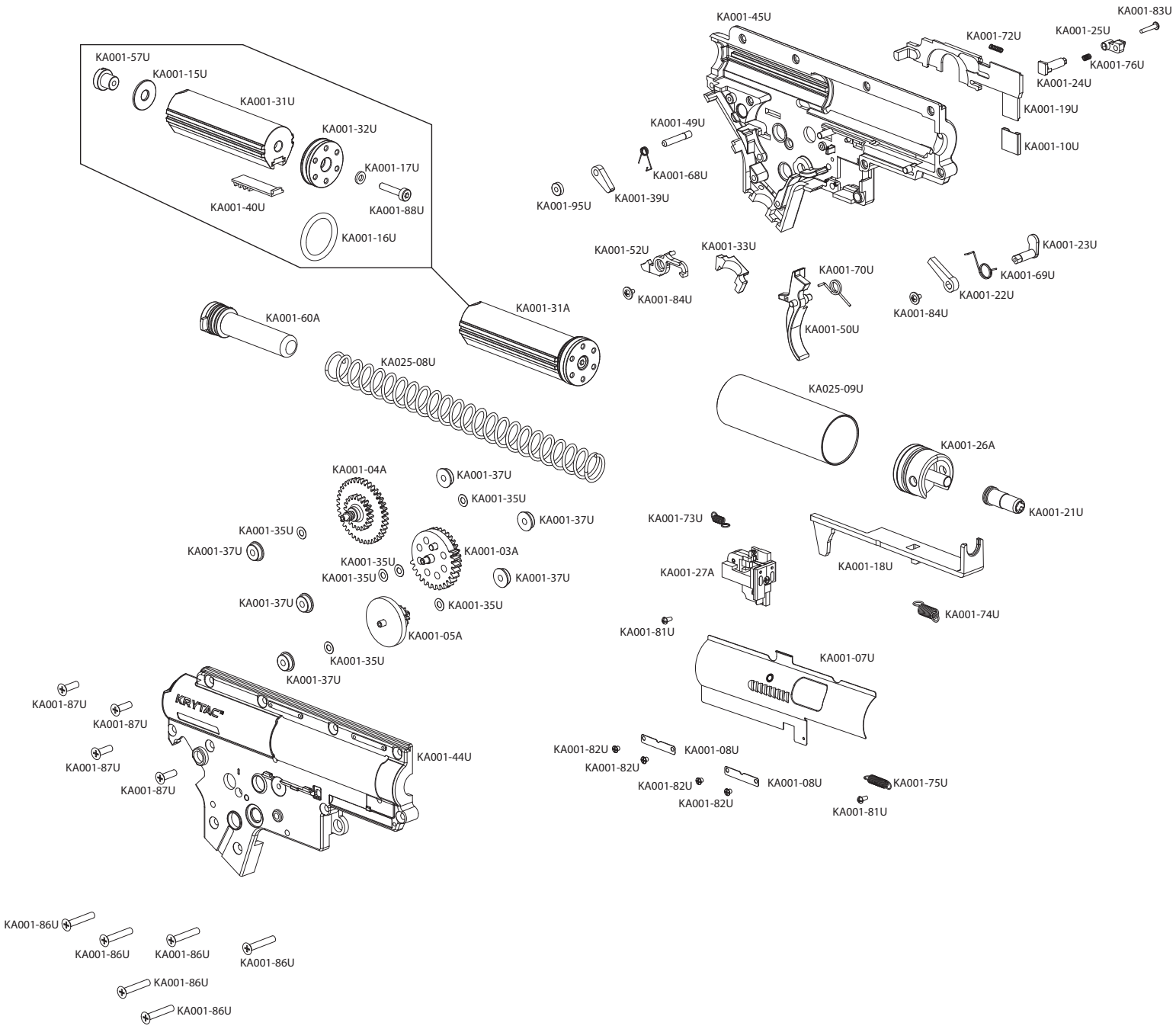


COMPONENTS DIAGRAM: ALPHA SERIES GEARBOX



KRYTAC[®]

R.2020.02.21



COMPONENTS LIST: ALPHA SDP



PART #	NAME
KA001-00U	GEARBOX
KA001-03A	SECTOR GEAR
KA001-04A	SPUR GEAR
KA001-05A	BEVEL GEAR
KA001-07U	BOLT PLATE
KA001-08U	BOLT PLATE GUIDE (2)
KA001-10U	CONTACT (SELECTOR)
KA001-15U	MAIN SPRING SHIM
KA001-16U	PISTON HEAD O-RING
KA001-17U	PISTON HEAD SHIM
KA001-18U	TAPPET PLATE
KA001-19U	SELECTOR PLATE
KA001-21U	AIR NOZZLE
KA001-22U	SAFETY BLOCK
KA001-23U	SAFETY BLOCK LEVER
KA001-24U	BOLT PLATE LOCK
KA001-25U	BOLT PLATE LOCK BUTTON
KA001-26A	CYLINDER HEAD ASSEMBLY
KA001-27A	SWITCH ASSEMBLY
KA001-31A	PISTON ASSEMBLY
KA001-31U	PISTON BODY
KA001-32U	PISTON HEAD
KA001-33U	WIRING COVER
KA001-35U	SHIM (6)
KA001-37U	BEARING
KA001-39U	ANTI-REVERSE LATCH
KA001-40U	PISTON TOOTH RACK
KA001-44U	GEARBOX SHELL (RIGHT)
KA001-45U	GEARBOX SHELL (LEFT)
KA001-49U	ANTI-REVERSE LATCH PIN

KA001-50U	TRIGGER
KA001-52U	DISCONNECT LEVER
KA001-57U	PISTON HEAD NUT
KA001-60A	SPRING GUIDE ASSEMBLY
KA001-68U	ANTI-REVERSE LATCH SPRING
KA001-69U	SAFETY BLOCK SPRING
KA001-70U	TRIGGER SPRING
KA001-72U	DISCONNECT SPRING
KA001-73U	SWITCH SPRING
KA001-74U	TAPPET PLATE SPRING
KA001-75U	BOLT RETURN SPRING
KA001-76U	BOLT PLATE LOCK SPRING
KA001-81U	BUTTON MICRO SCREW
KA001-82U	BOLT PLATE SCREW (4)
KA001-83U	BOLT PLATE LOCK SCREW
KA001-84U	FLAT MICRO SCREW (2)
KA001-86U	GEARBOX SHELL SCREW (LONG)(6)
KA001-87U	GEARBOX SHELL SCREW (SHORT)(4)
KA001-88U	PISTON HEAD SCREW
KA001-95U	ANTI-RELEASE LATCH BUSHING
KA002-01A	UPPER RECEIVER
KA002-02U	LOWER RECEIVER
KA002-03U	GEARBOX PIN
KA002-05U	FRONT RECEIVER PIN
KA002-06U	REAR RECEIVER PIN
KA002-07U	MOTOR ADJUSTMENT SCREW
KA002-17U	MAGAZINE RELEASE SPRING
KA002-20U	CHARGING HANDLE SPRING
KA002-22A	CHARGING HANDLE ASSEMBLY

KA002-24U	CRUSH WASHER O-RING
KA002-25A	OUTER BARREL BASE
KA002-27U	MAGAZINE RELEASE
KA002-28U	MAGAZINE RELEASE BUTTON
KA002-29A	TRIGGER GUARD ASSEMBLY
KA002-31A	BOLT STOP ASSEMBLY
KA002-32A	LEFT SELECTOR ASSEMBLY
KA002-33U	RIGHT SELECTOR
KA002-37U	RECEIVER PIN CAP SCREW (2)
KA002-39U	PISTOL GRIP SCREW (2)
KA002-43U	CHARGING HANDLE ANCHOR SCREW
KA002-44U	MOTOR PLATE SCREW (2)
KA002-46U	MAGAZINE RELEASE SCREW
KA002-51U	OUTER BARREL BASE SCREW
KA002-53U	RIGHT SELECTOR SCREW
KA002-58U	MOTOR PLATE
KA002-59U	PISTOL GRIP
KA005-02U	BARREL NUT
KA005-06U	RETENSION NUT (2)
KA005-07U	RETENSION SCREW (2)
KA005-10U	RAIL 5 INCH
KA006-01U	SDP HANDGUARD CAP
KA006-02U	SDP HANDGUARD TUBE
KA006-04U	SDP HANDGUARD SPACER
KA006-05U	SDP BATTERY HOUSING ASSEMBLY
KA006-07U	SDP GAS TUBE SCREW
KA006-08U	RETENTION NUT
KA006-09U	SDP CAP SCREW
KA006-13U	SDP GAS TUBE

KA006-14U	SDP OUTER BARREL
KA006-18U	INNER BARREL (135MM)
KA013-14A	SDP BATTERY HOUSING ASSEMBLY
KA018-01U	HOP-UP CHAMBER ASSEMBLY
KA018-07U	BUCKING
KA018-10U	TENSION SPRING
KA025-08U	MAIN SPRING
KA025-09U	CYLINDER
KA068-00U	MOTOR