



**KRYTAC®**

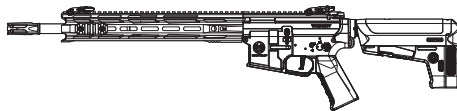
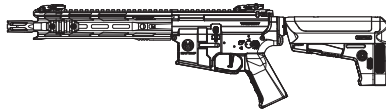
OWNER'S MANUAL

**TRIDENT**

MK II

CRB-M

SPR-M



# TABLE OF CONTENTS

---

Safety Rules .....	2
Specifications .....	4
Velocity and Energy Output Chart .....	6
Package content.....	6
Loading the Magazine .....	7
Fire Selector Switch.....	8
Battery Installation.....	9
Hop-Up System .....	10
Clearing Jammed BBs.....	11
Disassembly .....	12
Assembly.....	13
Main Springs Access .....	14
Cleaning and Maintenance.....	17
Operating Under Harsh Conditions .....	19
Hearing Protection Requirement .....	19
Contact Information .....	19
Trouble Shooting Guide.....	20
Component Diagrams and Lists .....	21



**WARNING**

THIS PRODUCT IS NOT INTENDED FOR USE BY UNTRAINED PERSONS (INCLUDING CHILDREN) WITH OR WITHOUT PHYSICAL OR MENTAL HANDICAPS. THESE HANDICAPS INCLUDE REDUCED PHYSICAL, SENSORY OR MENTAL CAPABILITIES, OR LACK OF EXPERIENCE AND KNOWLEDGE OF THE PRODUCT AND SAFETY GUIDELINES. ALL USERS SHOULD HAVE TRAINED SUPERVISION OR INSTRUCTIONS CONCERNING THE USE OF THE APPLIANCE BY A PERSON RESPONSIBLE FOR HIS OR HER SAFETY.

---

# SAFETY RULES

---

Please read the entire KRYTAC manual before operating the airsoft gun. This manual covers important safety, operational, and maintenance topics. It is important that the user reads and understands the manual in order to safely handle and operate the airsoft gun. Failure to follow the safety guidelines and/or operational instructions in this manual may result in serious personal injury or damage to the airsoft gun.

## Safety Guidelines

---

### EYE PROTECTION

Always wear eye protection while shooting, operating, and maintaining your airsoft guns.

### EAR PROTECTION

With noise levels exceeding 85dB(A), appropriate ear protection must be used to prevent any damage due to sound emissions.

### FIREARM SAFETY RULES

**Always assume that the airsoft gun is loaded.** Never assume the chamber is empty based on memory or from someone else's word. An airsoft gun can still fire with the magazine removed.

### KEEP YOUR FINGER OFF THE TRIGGER

Remove your finger from the inside of the trigger guard until your sights are aligned on target and you are ready to fire.

### MUZZLE CONTROL

Always keep the muzzle of the airsoft gun pointed in a safe direction. Never point the airsoft gun towards anything you do not intend to shoot.

### KNOW YOUR TARGET AND ITS SURROUNDINGS (SAFETY DISTANCE)

Take note of objects in front of and beyond your target. Airsoft guns can shoot up to and beyond 150 feet/45.5 meters and may travel further than intended without an adequate backstop. Never shoot an airsoft gun directly at targets such as rocks, glass, water, or other hard surfaces that may ricochet BBs in unpredictable directions.



WARNING

## SAFETY IS YOUR RESPONSIBILITY

---

The KRYTAC airsoft gun is designed and manufactured to KRYTAC's high standards. It was carefully inspected before it was packaged and shipped from our factory. It is the sole responsibility of the user for its safe use and handling. This airsoft gun is safe unless handled irresponsibly or misused.

### BEWARE OF BARREL OBSTRUCTIONS

Ensure that the barrel of your airsoft gun is free and clear of any obstructions prior to firing the airsoft gun. Failure to do so may cause a malfunction, and in some cases damage the airsoft gun.

### KEEP THE SAFETY ON

Keep the fire selector set to safe until your sights are aligned on target and you are ready to fire.

# SAFETY RULES

---

## FAILURE TO FIRE

If the airsoft gun fails to fire, misfires, or malfunctions, do not look into/down the barrel of the airsoft gun. BBs can jam in the chamber and can launch suddenly while under pressure causing serious injury.

## FUSE

DO NOT REMOVE OR BYPASS THE FUSE. It is an integral part of the system. Alterations to the fuse will void warranty and may result in operational failure and critical damage to internal components.

## MAINTAIN YOUR AIRSOFT GUN PROPERLY

Maintaining your airsoft gun as outlined in the manual ensures that your airsoft gun will be safe to shoot and perform to its designed specifications. Alterations, modifications, or adjustments may damage your airsoft gun, making it unsafe to shoot and/or voiding all warranty claims.

## STORAGE AND TRANSPORT

Keep the fire selector on the airsoft gun set to safe, with the magazine and battery removed when storing your airsoft gun. Always store your airsoft gun in a safe place and out of the reach of children. When transporting your airsoft gun make sure that it is in a designated airsoft gun case. Never brandish your airsoft gun in public.



WARNING

IT IS YOUR RESPONSIBILITY TO SAFELY STORE AND TRANSPORT YOUR AIRSOFT GUN.

---

## ORANGE TIP

Any alteration of the coloration or markings required by state and/or federal law may be deemed illegal in a court of law. All risks and responsibility of any alteration to the product will be assumed by the operators, owners and/or user of the product.



WARNING

THE ORANGE TIP DOES NOT DISTINGUISH YOUR AIRSOFT GUN AS A TOY, ALWAYS TREAT YOUR AIRSOFT GUN AS IF IT IS A REAL FIREARM.

---

## HAZARDS OF BEING MISTAKEN FOR A REAL FIREARM

Due to the nature and design of some airsoft guns, they may be mistaken as a real firearm. It is strongly advised to operate an airsoft gun in the safety and privacy of your own home, or at a legally sanctioned location or game field. Police, Peace Officers, and Law Enforcement Officers are trained to treat objects that resemble a firearm as one. In the event that you are approached by a Law Enforcement Official, completely comply with their instructions. Never point an airsoft gun at a Law Enforcement Official. Confrontation with a Law Enforcement Official may result in serious injury or death.

## ALCOHOL, MEDICATIONS AND DRUGS

Do not handle or operate your airsoft gun while under the influence of alcohol, medication, or drugs that may impair judgment.

# SPECIFICATIONS

## TRIDENT MK II CRB-M



Caliber	6mm
Overall Length	727 mm (28.6") - 815 mm (32.1")
Overall Height	185 mm (7.3")
Weight	2.6 kg (5.7 lbs)
Outer Barrel Length	266.7mm (10.5")
Inner Barrel Length	280 mm
Inner Barrel Diameter	6.05 mm
Rate of Fire	20+ RPS

PERFORMANCE DETAILS ARE BASED ON U.S. SPECIFICATIONS AND CAN BE MODIFIED TO MEET THE LAWS AND REGULATIONS OF YOUR LOCAL REGION.

### PRODUCT FEATURES

KRYTAC MK II metal alloy receiver  
TR210 M-Lok rail system  
KRISS flip-up front and rear sight  
KRISS pistol grip  
KRYTAC battery stock  
Ambidextrous fire selector  
Locking bolt and bolt release  
Licensed CMC trigger  
MIL-STD 1913 Picatinny top rail  
Ambidextrous sling loops

Krytac Nautilus mechbox with 8mm bearing  
Integrated FET system  
Easy spring access V.2  
Padded cylinder head  
Relief-cut cylinder window  
Anti-corrosion mechbox coating  
Adjustable rotary hop-up  
Temperature and wear resistant hop-up bucking  
KRYTAC 30K high torque motor

# SPECIFICATIONS

## TRIDENT MK II SPR-M



Caliber	6mm
Overall Length	863 mm (34") - 945 mm (37.25")
Overall Height	185 mm (7.3")
Weight	2.8 kg (6.2 lbs)
Outer Barrel Length	406 mm (16")
Inner Barrel Length	416 mm
Inner Barrel Diameter	6.05 mm
Rate of Fire	20+ RPS

PERFORMANCE DETAILS ARE BASED ON U.S. SPECIFICATIONS AND CAN BE MODIFIED TO MEET THE LAWS AND REGULATIONS OF YOUR LOCAL REGION.

### PRODUCT FEATURES

KRYTAC MK II metal alloy receiver

TR213 M-Lok rail system

KRISS flip-up front and rear sight

KRISS pistol grip

KRYTAC battery stock

Ambidextrous fire selector

Locking bolt and bolt release

Licensed CMC trigger

MIL-STD 1913 Picatinny top rail

Ambidextrous sling loops

Krytac Nautilus mechbox with 8mm bearing

Integrated FET system

Easy spring access V.2

Padded cylinder head

Relief-cut cylinder window

Anti-corrosion mechbox coating

Adjustable rotary hop-up

Temperature and wear resistant hop-up bucking

KRYTAC 30K high torque motor

## VELOCITY AND ENERGY OUTPUT CHART

Your KRYTAC product has been configured to comply with your region's energy output regulations. The table below is a reference to the energy output specifications organized by region.

Country	Max Velocity	Energy Output
Japan, Italy	85 m/s	0.73 Joules
UK	110 m/s	1.24 Joules
Austria, Belgium, Bosnia, Brazil, Bulgaria, Canada, Chile, Croatia, Cyprus, Czech Republic, Denmark, Estonia, Finland, France, Germany, Greece, Guatemala, Herzegovina, Hong Kong, Hungary, Iceland, Israel, Latvia, Liechtenstein, Lithuania, Macedonia, Moldavia, Netherlands, New Zealand, Norway, Paraguay, Philippines, Poland, Portugal, Romania, Russia, Serbia, Slovakia, Slovenia, South Africa, South Korea, Spain, Sweden, Switzerland, Turkey, U.S.A.	120 m/s	1.45 Joules

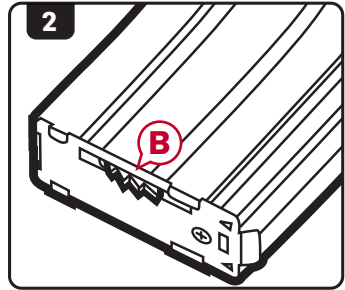
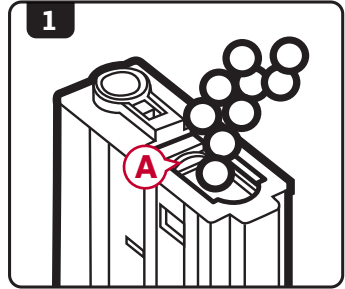
## PACKAGE CONTENTS

- [1] Trident MK II CRB-M / SPR-M airsoft gun
- [1] Magazine
- [1] Set of front and rear sights
- [1] M-Lok medium side rail
- [1] User's manual
- [1] Cleaning rod

# LOADING THE MAGAZINE

## High-Cap

1. Place the hi-cap magazine with the trap door (A) facing upward. Open the trap door and dispense BBs into the BB well.
2. When full, close the trap door and turn the winding wheel (B) forward until the 'clicking' changes tone.

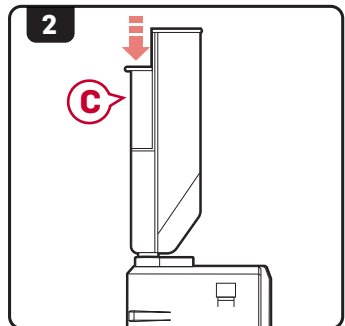
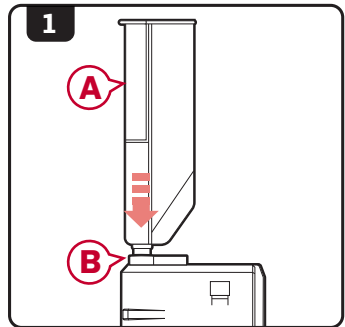


**DO NOT OVER LOAD THE MAGAZINE**

**WARNING**

## Mid-Cap

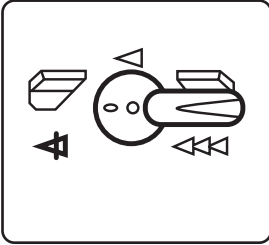
1. Using a speed loader (A) or other magazine loader, insert the nozzle into the opening of the magazine (B).
2. Press down on the loader plunger (C) to load BBs into the magazine.
3. Stop once the magazine is full, do not force more into the magazine.





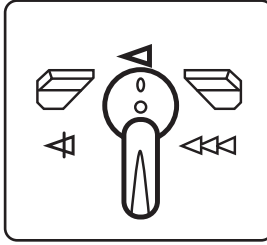
# FIRE SELECTOR SWITCH

## SAFE MODE



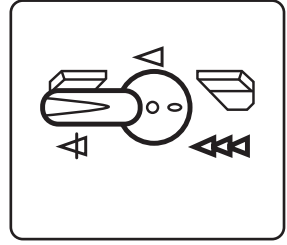
When in safe mode, the trigger will not engage and the airsoft gun will not fire.

## SEMI-AUTO MODE



While in semi-auto mode, the airsoft gun will only fire one shot for each time the trigger is engaged.

## FULL-AUTO MODE



In full-auto mode, the gun will continuously fire as long as the trigger remains engaged.

### SAFETY TIP

It is advised when you are not ready to fire, keep the fire selector switch on the airsoft gun in the safe position.



### WARNING

**DO NOT ENGAGE THE TRIGGER WHILE SWITCHING BETWEEN MODES ON THE FIRE SELECTOR.**

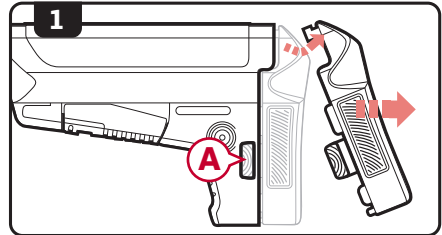
# BATTERY INSTALLATION



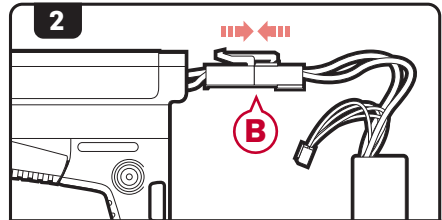
**WARNING**

ENSURE THAT THE STOCK IS IN THE FULLY COLLAPSED POSITION BEFORE OPENING THE STOCK COVER. DO NOT REMOVE THE STOCK COMPLETELY FROM THE GUN.

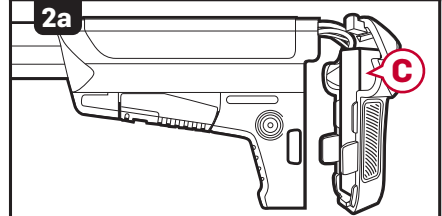
1. Set the fire selector to safe mode and depress the stock cover release button **(A)** on both sides of the stock to lift and remove the cover.



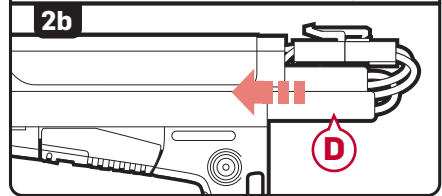
2. Connect either a nunchuck battery or small LiPo battery to the connector and place the battery into the stock. Push the connector plugs **(B)** together firmly until they lock into place.



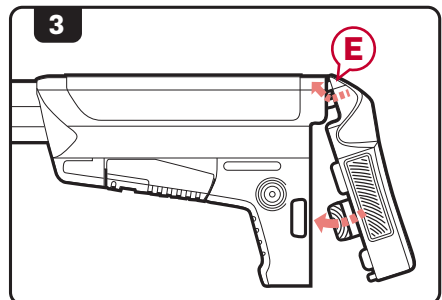
a. Place the small LiPo battery **(C)** so that it rests at the rear of the stock.



b. Place the nunchuck style batteries **(D)** down either side of the battery tubes found on the sides of the stock.



3. Replace the stock cover by first placing the tab **(E)** of the cover into the stock and then rocking the stock cover down into position. Ensure that the stock cover release buttons snap securely into place.



**WARNING**

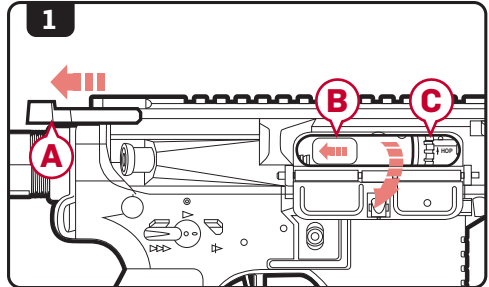
EXCESSIVE PULLING OR TUGGING OF THE BATTERY WIRES WHEN INSERTING OR REMOVING THE BATTERY CAN CAUSE THE FUSE HOUSING TO COME LOOSE OR DAMAGE TO THE GUN.

# HOP-UP SYSTEM

The advanced KRYTAC rotary hop-up unit is a standard feature in the Trident series AEGs. Proper adjustment of the hop-up will allow the AEGs to fire in a variety of shooting environments to obtain optimal BB trajectory.

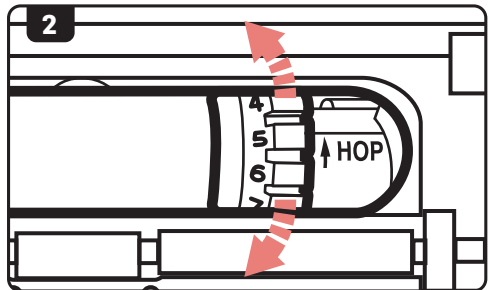
## Hop-Up Adjustment

1. Pull the charging handle (A) rearward locking the bolt plate (B). This will provide access to the hop-up adjustment dial (C).

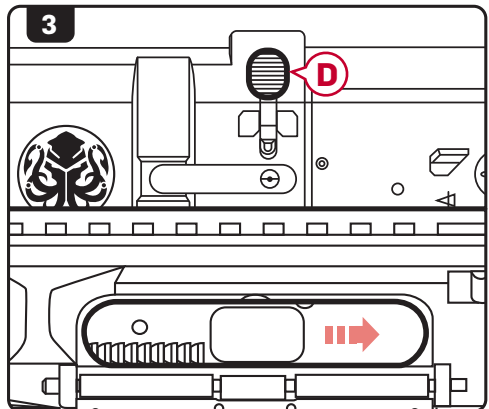


2. Turn the dial up or down, an audible click will confirm each adjustment.

Increasing the number on the dial will increase the amount of hop-up on the BB. Decreasing the number will lower the amount of hop-up on the BB.



3. Once the hop-up has been set, depress the bolt catch release (D) to return the bolt plate back to its fully seated position.



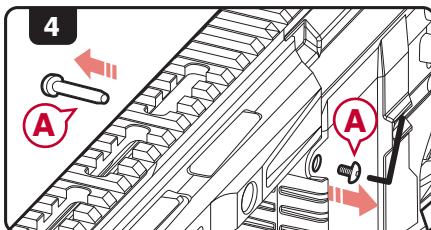
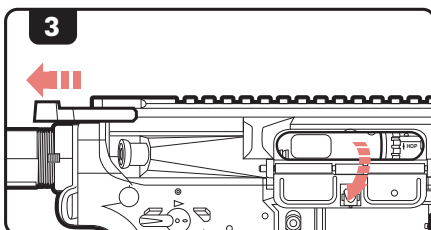
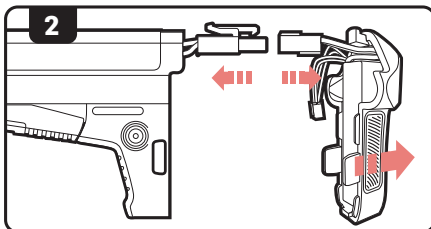
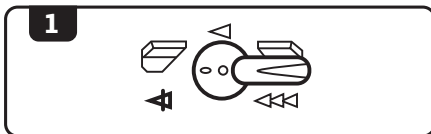


# DISASSEMBLY

## NOTE

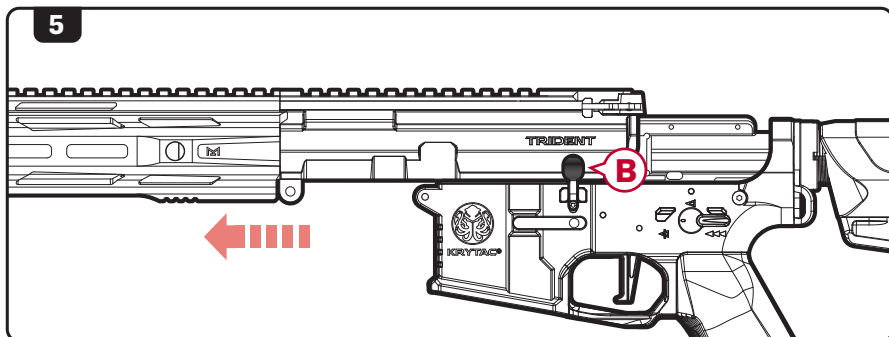
Before opening up the receiver, remove the magazine and fire the airsoft gun in a safe direction to ensure that the hop-up chamber is clear of any BBs.

1. Set the AEG to safe mode.
2. Remove the stock cover and disconnect the battery.
3. Pull the charging handle rearward to lock the bolt plate back.
4. Remove **ONLY** the front pin **(A)** from the receiver.
5. Slide the upper receiver forward and away from the lower receiver.



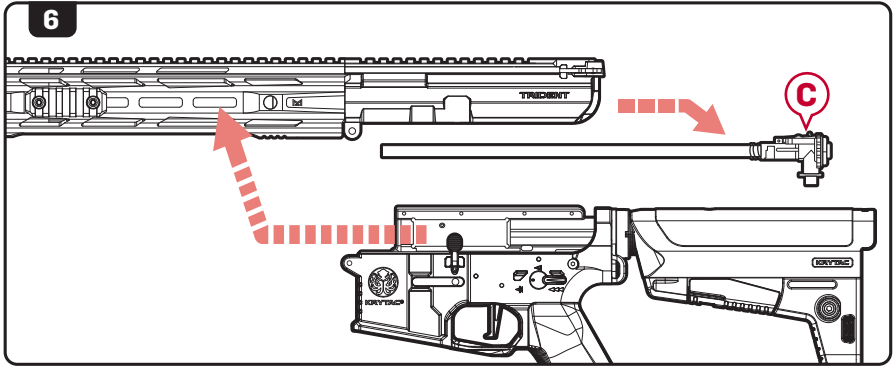
**NOTE**

The bolt catch lever **(B)** may fall off of the lower receiver when separating the receivers. Avoid turning or jostling the lower receiver to help prevent loss of the bolt catch lever.



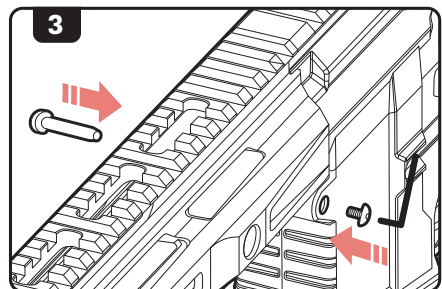
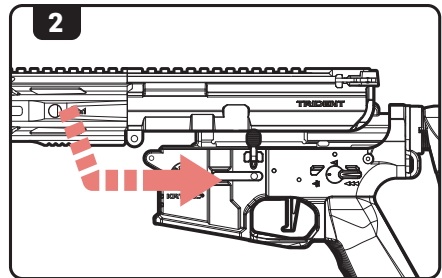
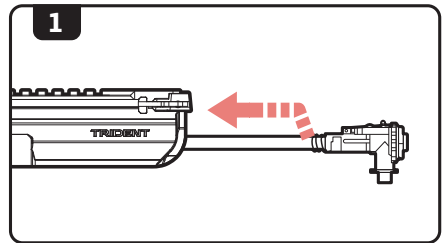
## DISASSEMBLY

6. Slide the hop-up and inner barrel assembly **C** out of the upper receiver.



## ASSEMBLY

1. Insert the hop-up and inner barrel assembly into the upper receiver.
2. Ensure that the bolt catch lever is in place, then slide the upper receiver back onto the lower receiver.
3. Reinstall and secure the front body pin.

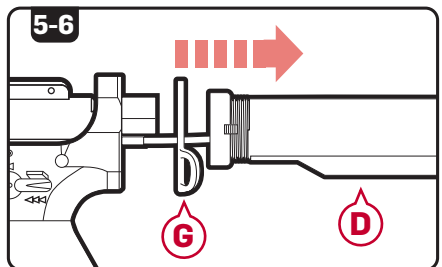
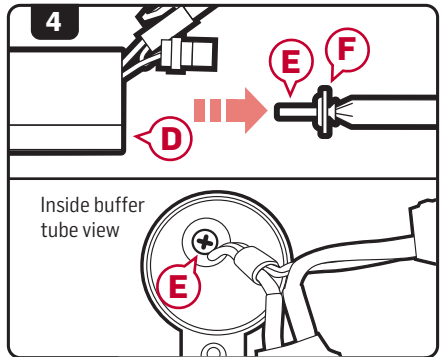
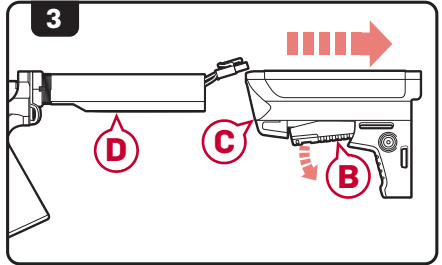
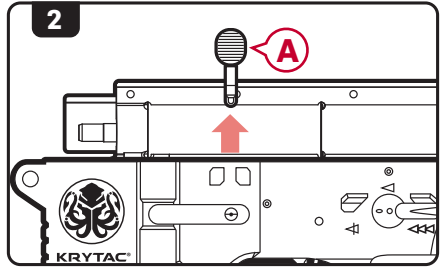


# MAIN SPRING ACCESS



PLEASE REVIEW THE WARRANTY CARD INFORMATION BEFORE OPENING AND/OR MODIFYING THE KRYTAC AIRSOFT GUN.

1. Disassemble the airsoft gun. (see pg.12 for disassembly instruction).
2. Remove the bolt release button **A**.
3. Pull down on the tab of the stock adjustment lever **B**, slide the stock **C** rearward and off the buffer tube **D**.
4. Use a Phillip (P2) screw driver to remove screw **E** and washer **F** from inside the buffer tube **D**.
5. Remove the buffer tube **D**.
6. Remove the sling plate **G**.



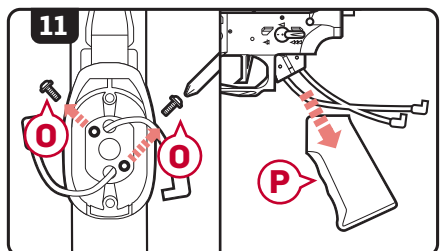
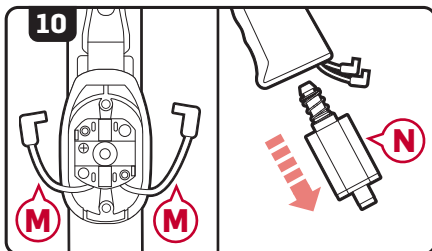
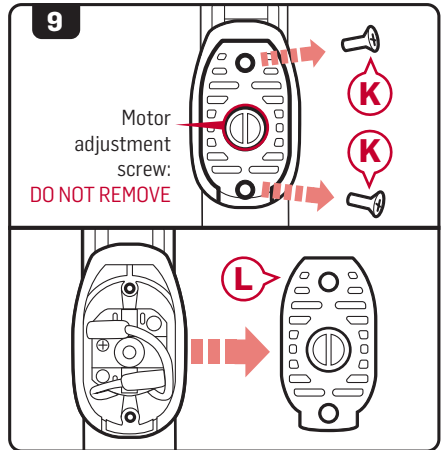
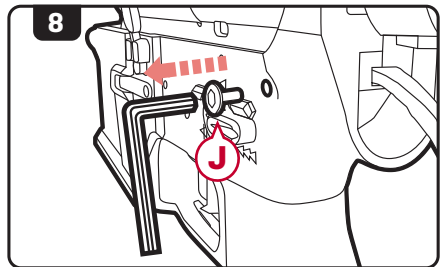
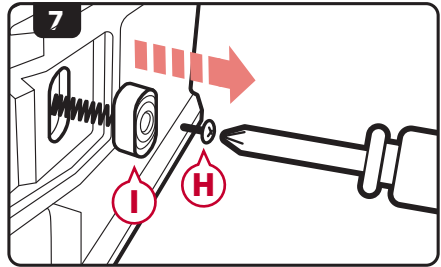
# MAIN SPRING ACCESS

7. Remove the screw **H** from the magazine release button **I** using a Phillip screw driver, then remove the magazine release button **I**.
8. Use a 3 mm hex key to remove the rear receiver pin screw **J**.
9. Use a Phillips screw driver to remove 2 screws **K** on the bottom of the motor plate **L** then remove the motor plate.
10. Disconnect the motor wires **M** and remove the motor **N**.

## NOTE

Take note of the wire and motor orientation before disconnecting.

11. Remove 2 Phillips screws **O** at the top of the motor grip interior, then remove the motor grip **P**.





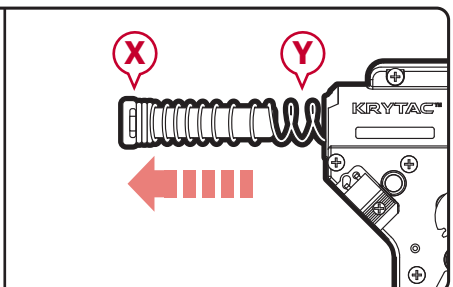
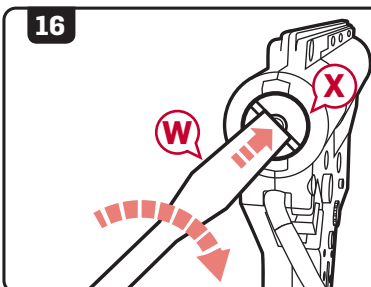
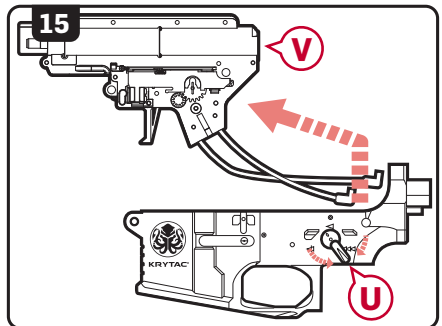
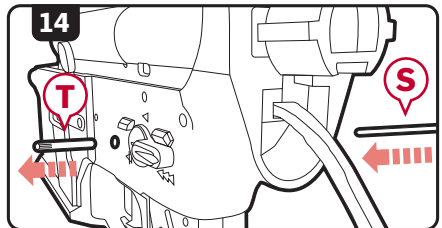
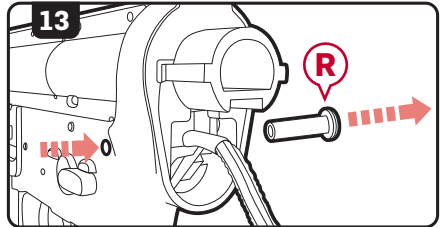
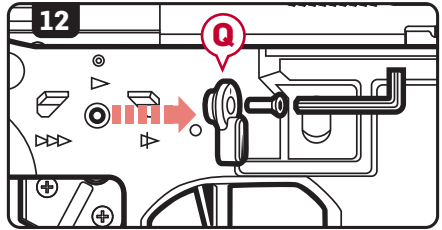
# MAIN SPRING ACCESS

12. Remove the right side selector switch **Q** using a 1.5 mm hex key.
13. Press the rear receiver pin **R** in and remove it from the other side of the airsoft gun.
14. Use a 2.5 mm punch **S** and press the body pin **T** in and remove it from the other side of the airsoft gun.
15. Move the selector switch **U** half way between safe mode and semi-automatic mode then slide the gearbox **V** out of the lower receiver.
16. Use an flathead screwdriver **W**, push the anchored spring guide **X** into the gearbox, turn 90° clockwise then pull the spring guide and spring **Y** out.

## NOTE

Spring guide is under extreme pressure. Remove with caution.

17. Re-insert the anchored spring guide with desired spring into gear box. Follow steps in reverse order to reassemble the airsoft gun.

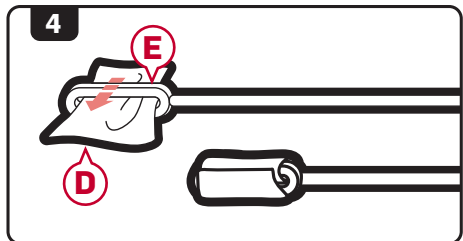
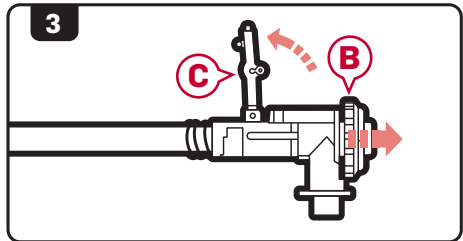
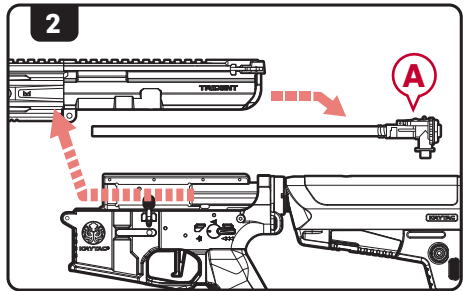
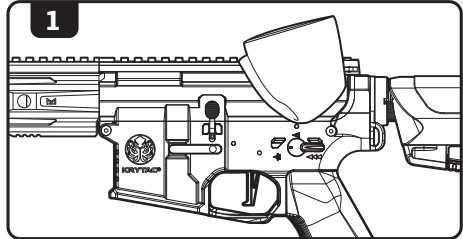


# CLEANING AND MAINTENANCE

## NOTE

WHILE POINTING THE AIRSOFT GUN IN A SAFE DIRECTION, REMOVE THE MAGAZINE AND CYCLE THE GEARBOX UNTIL NO BBS EXIT THE INNER BARREL. PLACE THE AIRSOFT GUN IN SAFE MODE AND DISCONNECT THE BATTERY PRIOR TO ANY CLEANING PROCEDURES.

1. Wipe down the external parts of the gun and remove any dirt and debris.
2. Disassemble the airsoft gun as described in the Disassembly section and pull out the barrel and hop-up assembly (A).
3. Pull back on the hop-up adjustment wheel (B) and lift the hop-up adjustment lever (C) up.
4. Take a lint-free cleaning patch (D) and place it through the looped end of the cleaning rod (E).

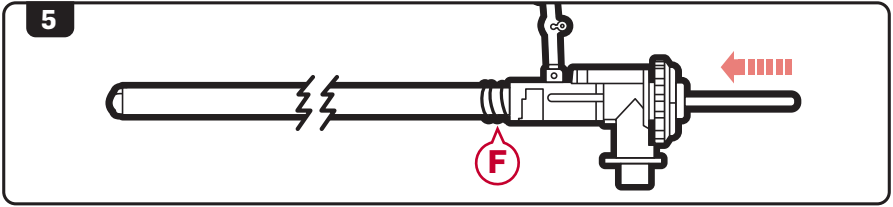


## WARNING

DO NOT ADD OIL TO THE HOP-UP BUCKING. EXCESSIVE OIL ON THE HOP-UP BUCKING MAY NEGATE THE HOP-UP, DECREASING RANGE AND ACCURACY.

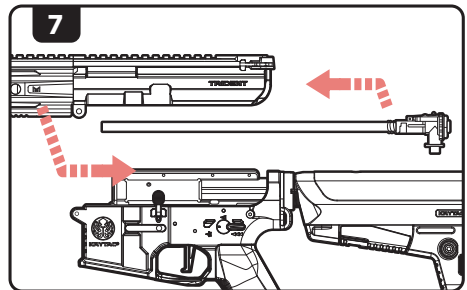
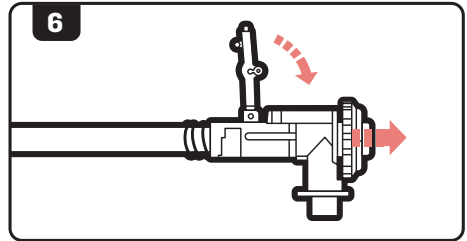
## CLEANING AND MAINTENANCE

5. Run the cleaning rod through the barrel from back to front (in the same direction that BBs travel).



KEEP TRACK OF THE BARREL SPRING (F), IT CAN SEPARATE FROM THE BARREL ASSEMBLY.

6. Pull back on the hop-up adjustment wheel and lower the hop-up adjustment lever back into position.
7. Reinsert the hop-up barrel assembly into the receiver and reassemble as described in the Assembly section.



## **OPERATING UNDER HARSH CONDITIONS**

---

When operating under harsh conditions, special maintenance may be required to match the climate conditions of a specific operational area.

### **Dust and Sand**

In harsh dusty or sandy environments, excessive debris can cause malfunctions and/or excessive wear on parts. Keep the gun covered and protected while not in use. When performing maintenance, use lubrication sparingly as it tends to attract dirt and other particles. After use in a dusty or sandy area, always field strip the gun, as outlined in the Disassembly section, cleaning all the areas that can be reached with a soft, clean, lint-free cloth.

### **Heavy Rain**

Never submerge or expose your gun to extremely wet environments. Exposure to such conditions may cause electrical failure and fluid to build-up inside the gearbox. Dry completely with a clean, lint-free cloth and clean inner barrel when necessary.

## **HEARING PROTECTION REQUIREMENT**

---

### **HEARING PROTECTION REQUIREMENT FOR EUROPEAN COMMUNITY**

The KRYTAC TRIDENT MK II CRB-M, SPR-M fulfills all relevant provisions of:

EMC Directive (2014/30/EU)  
RoHS Directive (2011/65/EU)  
General Product Safety Directive (2001/95/EC)

In conjunction with the following harmonized standards or technical specifications for the design and manufacture

EN 50581:2012; EN 55014-1:2006; EN 55014-2:1997

In accordance with the above mentioned standards, in some applications, noise or vibration levels may exceed the minimum Noise levels of 85db(A). If Noise levels exceed 85dB(A), appropriate ear protection must be used to prevent any damages due to sound emissions.

## **CONTACT INFORMATION**

---

For additional troubleshooting, information, or questions regarding KRYTAC customer service:

**Submit a contact form at: [www.krytac.com](http://www.krytac.com)**

**Email us at: [support@krytac.com](mailto:support@krytac.com)**

Join the KRYTAC Community and visit <http://forums.krytac.com> for any additional technical questions and information about your KRYTAC.

# TROUBLE SHOOTING GUIDE



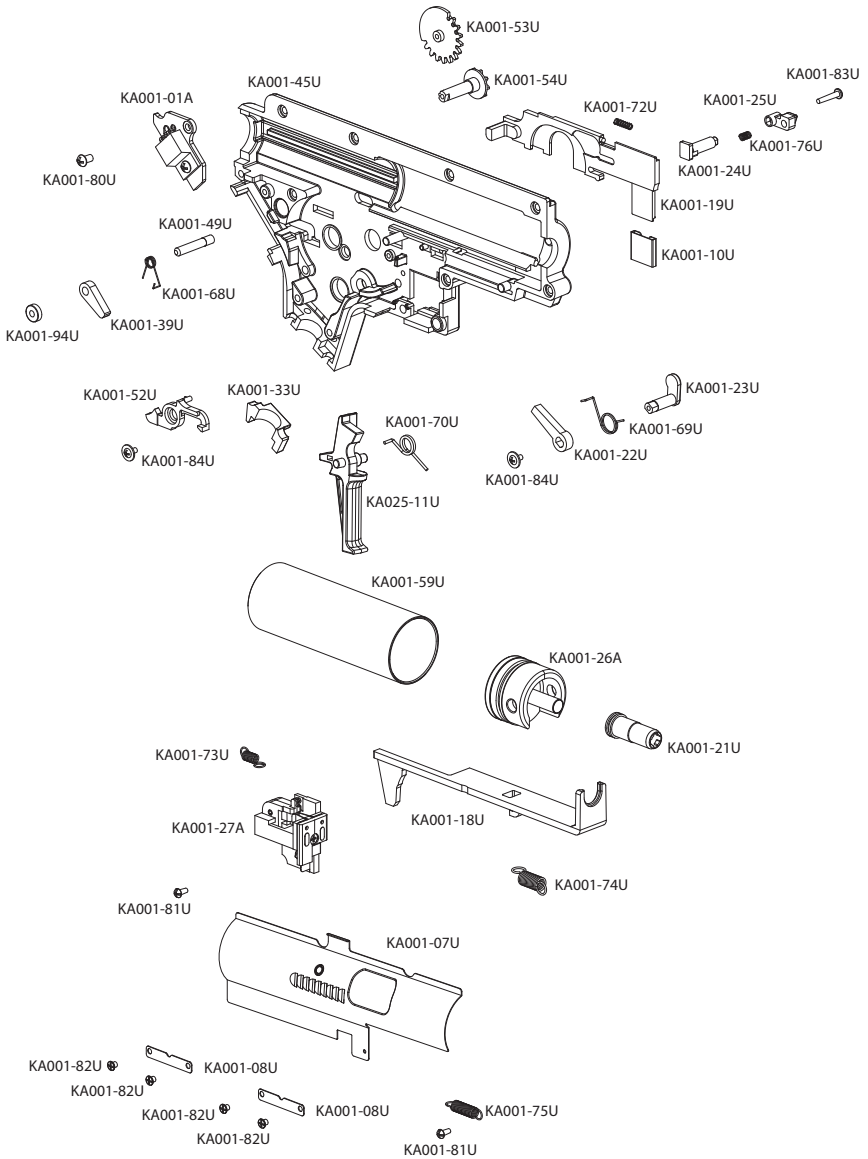
**WARNING**

**WHEN TROUBLESHOOTING, FOLLOW THE SAFETY MEASURES DESCRIBED IN THIS MANUAL.**

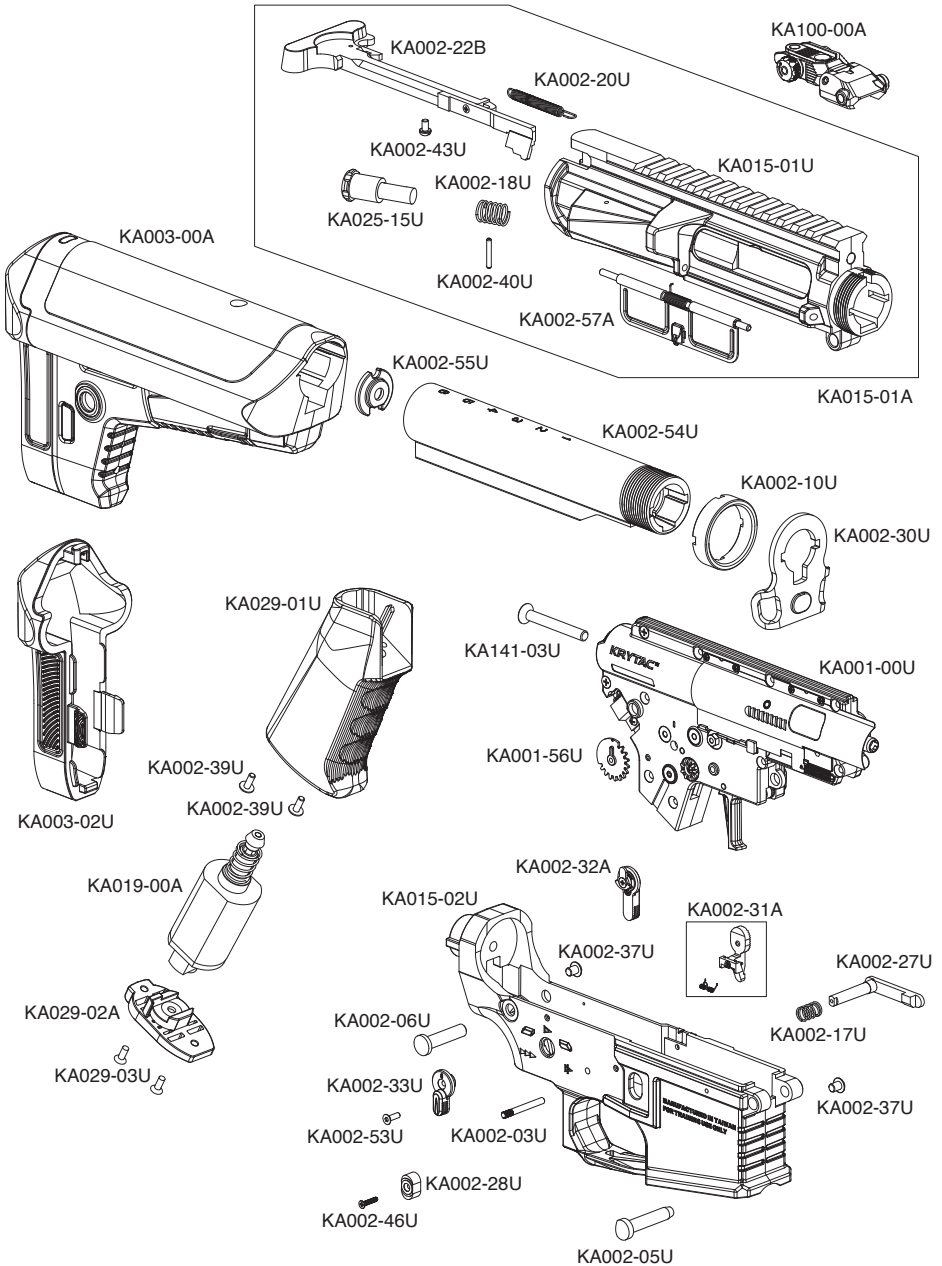
<b>SYMPTOMS</b>	<b>CAUSE</b>	<b>SOLUTIONS</b>
Not firing/No sound	Safety is engaged	Change selector to Semi Auto or Full Automatic Mode
	Low power or dead battery	Charge and replace battery
	Blown out fuse	Replace with new fuse
	Loose connection	Contact customer service for professional care
Motor is running but not firing	Inspect magazine	Check if magazine is properly loaded into the gun Ensure magazine is loaded with ammunition Ensure the hi-cap magazine is properly wound
Motor or battery is hot after short use	Damaged battery	Inspect and/or replace battery
	Loose connection terminal	Contact customer service for professional care
Semi-Auto feature not functioning properly	Battery voltage or discharge is too high	Condition or replace battery
Semi-Auto feature not working at all	Disconnecter is not engaged properly	Reset the disconnecter by setting the selector to safe, then to automatic, then to semi
Firing cycle slowing down	Battery is low on power	Charge or replace battery
High pitch or grinding noise	Motor level is not adjusted properly	Contact customer service for professional care
BB travels upward	Hop-up adjusted too high	Dial down the hop-up adjustment
BB travels downward	Hop-up adjusted too low	Dial up the hop-up adjustment
BB double feeding or rolling out of the barrel	Excessive grease or oil in the hopup chamber	Fire at least 200 rounds to eliminate excessive grease from the chamber Clean hop-up unit with supplied cleaning rod
	Hop-up unit is turned off	Turn hop-up unit on
Hop-up unit can't be adjusted	Hop-up adjustment arm is not set properly	Reset hop-up adjustment arm (See pg. 18 step 6)
Inner barrel is jammed or jamming	Use of recycled or low quality BBs	Use only KRYTAC branded or other high quality BBs
	Inner Barrel is contaminated with BBs or debris	Clear and/or clean inner barrel with supplied cleaning rod (See page 11 for clearing jam section and page 17 for cleaning and maintenance section)
Hi-Cap magazine not feeding	Magazine has not been wound	Wind wheel underneath magazine
	BBs are lodged inside the magazine	Shake or tap magazine to clear the jam
	Internal obstruction	Contact customer service for professional care



# COMPONENT DIAGRAM: GEARBOX

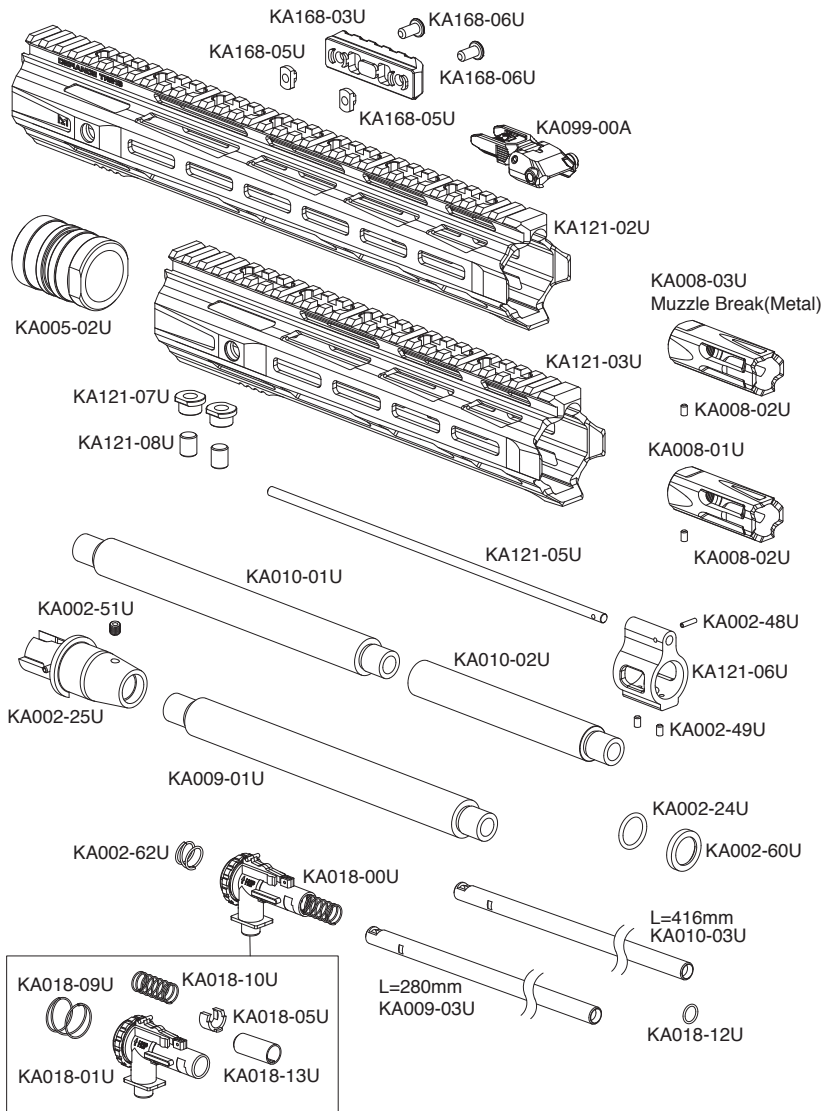


# COMPONENT DIAGRAM: MK II CRB-M, SPR-M





# COMPONENT DIAGRAM: MK II CRB-M, SPR-M



# COMPONENT LIST: MK II CRB-M, SPR-M

PART #	NAME
KA001-00A	GEARBOX
KA001-01A	MOSFET ASSEMBLY
KA001-03A	SECTOR GEAR
KA001-04A	SPUR GEAR
KA001-05A	BEVEL GEAR
KA001-07U	BOLT PLATE
KA001-08U	BOLT PLATE GUIDE (2)
KA001-10U	CONTACT (SELECTOR)
KA001-15U	MAIN SPRING SHIM
KA001-16U	PISTON HEAD O-RING
KA001-17U	PISTON HEAD SHIM
KA001-18U	TAPPET PLATE
KA001-19U	SELECTOR PLATE
KA001-21U	AIR NOZZLE
KA001-22U	SAFETY BLOCK
KA001-23U	SAFETY BLOCK LEVER
KA001-24U	BOLT PLATE LOCK
KA001-25U	BOLT PLATE LOCK BUTTON
KA001-26A	CYLINDER HEAD ASSEMBLY
KA001-27A	SWITCH ASSEMBLY
KA001-31A	PISTON ASSEMBLY
KA001-31U	PISTON BODY
KA001-32U	PISTON HEAD
KA001-33U	WIRING COVER
KA001-35U	SHIM (6)
KA001-37U	BEARING (6)
KA001-39U	ANTI-REVERSE LATCH
KA001-40U	PISTON TOOTH RACK
KA001-44U	GEARBOX SHELL (RIGHT)
KA001-45U	GEARBOX SHELL (LEFT)
KA001-49U	ANTI-REVERSE LATCH PIN
KA001-52U	DISCONNECT LEVER
KA001-53U	SELECTOR GEAR (LEFT)
KA001-54U	SELECTOR TRANSFER AXIS GEAR
KA001-55U	SELECTOR TRANSFER CAP GEAR
KA001-56U	SELECTOR GEAR (RIGHT)
KA001-57U	PISTON HEAD NUT
KA001-59U	CYLINDER (TYPE 1)
KA001-60A	SPRING GUIDE ASSEMBLY
KA001-68U	ANTI-REVERSE LATCH SPRING
KA001-69U	SAFETY BLOCK SPRING
KA001-70U	TRIGGER SPRING
KA001-71U	MAIN SPRING (M120)
KA001-72U	DISCONNECT SPRING
KA001-73U	SWITCH SPRING
KA001-74U	TAPPET PLATE SPRING
KA001-75U	BOLT RETURN SPRING
KA001-76U	BOLT PLATE LOCK SPRING
KA001-80U	MOSFET SCREW
KA001-81U	BUTTON MICRO SCREW
KA001-82U	BOLT PLATE SCREW (4)
KA001-83U	BOLT PLATE LOCK SCREW
KA001-84U	FLAT MICRO SCREW (2)
KA001-85U	SELECTOR TRANSFER GEAR SCREW
KA001-86U	GEARBOX SHELL SCREW (LONG)(6)
KA001-87U	GEARBOX SHELL SCREW (SHORT)(4)
KA001-88U	PISTON HEAD SCREW
KA001-94U	SOLID STEEL BUSHING
KA002-03U	GEARBOX PIN
KA002-05U	FRONT RECEIVER PIN
KA002-06U	REAR RECEIVER PIN
KA002-10U	CASTLE NUT
KA002-17U	MAGAZINE RELEASE SPRING
KA002-18U	FORWARD ASSIST SPRING
KA002-20U	CHARGING HANDLE SPRING

# COMPONENT LIST: MK II CRB-M, SPR-M

KA002-22B	CHARGING HANDLE ASSEMBLY	KA009-01U	CRB OUTER BARREL
KA002-24U	CRUSH WASHER O-RING	KA009-03U	CRB INNER BARREL (280MM)
KA002-25U	OUTER BARREL BASE	KA010-01U	SPR OUTER BARREL
KA002-27U	MAGAZINE RELEASE	KA010-02U	SPR OUTER BARREL
KA002-28U	MAGAZINE RELEASE BUTTON	KA010-03U	SPR INNER BARRE (416MM)
KA002-30U	SLING PLATE	KA015-01A	UPPER RECEIVER ASSEMBLY
KA002-31A	BOLT STOP ASSEMBLY	KA015-01U	UPPER RECEIVER
KA002-32A	LEFT SELECTOR ASSEMBLY	KA015-02U	LOWER RECEIVER
KA002-33U	RIGHT SELECTOR	KA018-00U	HOP-UP UNIT CHAMBER ASSEMBLY
KA002-37U	RECEIVER PIN CAP SCREW (2)	KA018-01U	HOP-UP CHAMBER
KA002-39U	PISTOL GRIP SCREW (2)	KA018-05U	BARREL CLIP
KA002-40U	FORWARD ASSIST PIN	KA018-09U	ADJUSTMENT SPRING
KA002-43U	CHARGING HANDLE ANCHOR SCREW	KA018-10U	TENSION SPRING
KA002-46U	MAGAZINE RELEASE SCREW	KA018-12U	FRONT BARREL O-RING
KA002-48U	GAS BLOCK PIN	KA018-13U	BUCKING
KA002-49U	GAS BLOCK SCREWS (2)	KA019-00A	MOTOR
KA002-51U	OUTER BARREL BASE SCREW	KA025-06U	MAIN SPRING (M100)
KA002-53U	RIGHT SELECTOR SCREW	KA025-08U	MAIN SPRING (M90)
KA002-54U	BUFFER TUBE	KA025-11U	TRIGGER
KA002-55U	BUFFER TUBE SCREW CAP	KA025-15U	FORWARD ASSIST BUTTON
KA002-56U	GAS BLOCK	KA029-01U	PISTOL GRIP
KA002-57A	DUST COVER ASSEMBLY	KA029-02A	MOTOR PLATE ASSEMBLY
KA002-60U	CRUSH WASHER	KA029-03U	MOTOR PLATE SCREW (2)
KA002-62U	HOP-UP OUTER TENSION SPRING	KA099-00A	FRONT SIGHT ASSEMBLY
KA003-00A	STOCK ASSEMBLY	KA100-00A	REAR SIGHT ASSEMBLY
KA003-02U	BUTTPAD	KA121-02U	SPR-M RAIL
KA005-01U	RAIL 10 INCH (CRB)	KA121-03U	CRB-M RAIL
KA005-02U	BARREL NUT	KA121-05U	GAS TUBE
KA005-04U	RAIL KEY	KA121-06U	GAS BLOCK
KA005-11U	RAIL 13 INCH (SPR)	KA121-07U	RETENSION NUT (2)
KA008-01U	MUZZEL BREAK	KA121-08U	RETENSION SCREW (2)
KA008-02U	SET SCREW	KA141-03U	BUFFER TUBE SCREW
KA008-03U	MUZZEL BREAK (METAL)		

[www.krytac.com](http://www.krytac.com)

© Copyright 2018  
KRISS INDUSTRIES ASIA  
Subject to change

V.03 R.2020.02.21

