

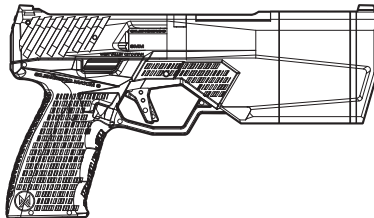


**KRYTAC®**

OWNER'S MANUAL

 **SILENCERCO®**

MAXIM 9



# TABLE OF CONTENTS

---

Safety Rules .....	2
Specifications .....	4
Velocity and Energy Output Chart .....	5
Package Contents .....	5
Charging the Magazine .....	6
Green Gas Safety Tips .....	6
Loading the CO <sub>2</sub> Magazine Cartridge .....	7
Loading the Airsoft Gun .....	7
Loading the Magazine .....	8
Loading Chamber .....	8
Fire Selector Switch .....	9
Shooting the Airsoft Gun .....	9
Open Slide .....	10
Chamber Check .....	10
Hop-Up System .....	11
Disassembly .....	12
Assembly .....	13
Install Tracer and Extension Kit .....	13
Holster Adjustments .....	15
Cleaning and Maintenance .....	15
Operating Under Harsh Conditions .....	16
Hearing Protection Requirement .....	16
Trouble Shooting Guide .....	17
Contact Information .....	17
Component Diagrams .....	18
Component Lists .....	21



---

**THIS PRODUCT IS NOT INTENDED FOR USE BY UNTRAINED PERSONS (INCLUDING CHILDREN) WITH OR WITHOUT PHYSICAL OR MENTAL HANDICAPS. THESE HANDICAPS INCLUDE REDUCED PHYSICAL, SENSORY OR MENTAL CAPABILITIES, OR LACK OF EXPERIENCE AND KNOWLEDGE OF THE PRODUCT AND SAFETY GUIDELINES. ALL USERS SHOULD HAVE TRAINED SUPERVISION OR INSTRUCTIONS CONCERNING THE USE OF THE APPLIANCE BY A PERSON RESPONSIBLE FOR HIS OR HER SAFETY.**

---

# SAFETY RULES

---

Please read the entire KRYTAC manual before operating the airsoft gun. This manual covers important safety, operational, and maintenance topics. It is important that the user reads and understands the manual in order to safely handle and operate the airsoft gun. Failure to follow the safety guidelines and/or operational instructions in this manual may result in serious personal injury or damage to the airsoft gun.

## Safety Guidelines

---

### EYE PROTECTION

Always wear eye protection while shooting, operating, and maintaining your airsoft guns.

### EAR PROTECTION

With noise levels exceeding 85dB(A), appropriate ear protection must be used to prevent any damage due to sound emissions.

### FIREARM SAFETY RULES

**Always assume that the airsoft gun is loaded.** Never assume the chamber is empty based on memory or from someone else's word.

### KEEP YOUR FINGER OFF THE TRIGGER

Remove your finger from the inside of the trigger guard until your sights are aligned on target and you are ready to fire.

### MUZZLE CONTROL

Always keep the muzzle of the airsoft gun pointed in a safe direction. Never point the airsoft gun towards anything you do not intend to shoot.

### KNOW YOUR TARGET AND ITS SURROUNDINGS (SAFETY DISTANCE)

Take note of objects in front of and beyond your target. Airsoft guns can shoot up to and beyond 150 feet/45.5 meters and may travel further than intended without an adequate backstop. Never shoot an airsoft gun directly at targets such as rocks, glass, water, or other hard surfaces that may ricochet BBs in unpredictable directions.



WARNING

## SAFETY IS YOUR RESPONSIBILITY

---

The KRYTAC airsoft gun is designed and manufactured to KRYTAC's high standards. It was carefully inspected before it was packaged and shipped from our factory. It is the sole responsibility of the user for its safe use and handling. This airsoft gun is safe unless handled irresponsibly or misused.

### BEWARE OF BARREL OBSTRUCTIONS

Ensure that the barrel of your airsoft gun is free and clear of any obstructions prior to firing the airsoft gun. Failure to do so may cause a malfunction, and in some cases damage the airsoft gun.

# SAFETY RULES

---

## FAILURE TO FIRE

If the airsoft gun fails to fire, misfires, or malfunctions, do not look into/down the barrel of the airsoft gun. BBs can jam in the chamber and can launch suddenly while under pressure causing serious injury.

## MAINTAIN YOUR AIRSOFT GUN PROPERLY

Maintaining your airsoft gun as outlined in the manual ensures that your airsoft gun will be safe to shoot and perform to its designed specifications. Alterations, modifications, or adjustments may damage your airsoft gun, making it unsafe to shoot and/or voiding all warranty claims.

## STORAGE AND TRANSPORT

Always store your airsoft gun in a safe place and out of the reach of children. When transporting your airsoft gun make sure that it is in a designated airsoft gun case. Never brandish your airsoft gun in public.



WARNING

IT IS YOUR RESPONSIBILITY TO SAFELY STORE AND TRANSPORT YOUR AIRSOFT GUN.

---

## ORANGE TIP

Any alteration of the coloration or markings required by state and/or federal law may be deemed illegal in a court of law. All risks and responsibility of any alteration to the product will be assumed by the operators, owners and/or user of the product.



WARNING

THE ORANGE TIP DOES NOT DISTINGUISH YOUR AIRSOFT GUN AS A TOY, ALWAYS TREAT YOUR AIRSOFT GUN AS IF IT IS A REAL FIREARM.

---

## HAZARDS OF BEING MISTAKEN FOR A REAL FIREARM

Due to the nature and design of some airsoft guns, they may be mistaken as a real firearm. It is strongly advised to operate an airsoft gun in the safety and privacy of your own home, or at a legally sanctioned location or game field. Police, Peace Officers, and Law Enforcement Officers are trained to treat objects that resemble a firearm as one. In the event that you are approached by a Law Enforcement Official, completely comply with their instructions. Never point an airsoft gun at a Law Enforcement Official. Confrontation with a Law Enforcement Official may result in serious injury or death.

## ALCOHOL, MEDICATIONS AND DRUGS

Do not handle or operate your airsoft gun while under the influence of alcohol, medication, or drugs that may impair judgment.

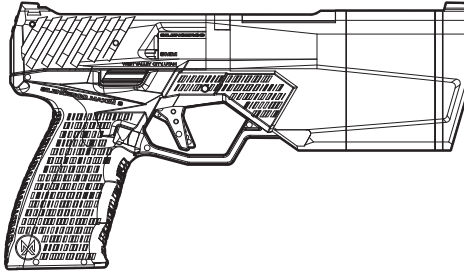


# SPECIFICATIONS

---

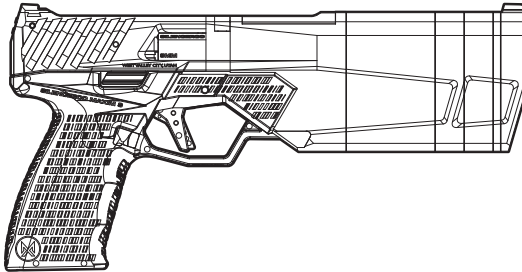
## MAXIM 9 (SHORT)

---



## MAXIM 9 (LONG)

---



Caliber	6mm	
Overall Length	Short: 240mm / 9.45"	Long: 275mm / 10.83"
Overall Height	140mm	
Weight	Short: 798g / 1.76lb	Long: 838g / 1.85lb
Outer Barrel Length	74mm	
Inner Barrel Length	115mm	
Inner Barrel Diameter	6mm	

PERFORMANCE DETAILS ARE BASED ON U.S. SPECIFICATIONS AND CAN BE MODIFIED TO MEET THE LAWS AND REGULATIONS OF YOUR LOCAL REGION.

# VELOCITY AND ENERGY OUTPUT CHART

Your KRYTAC product has been configured to comply with your region's energy output regulations. The table below is a reference to the energy output specifications organized by region.

Country	Output M/S		Joules	
	min.	max.	min.	max.
Japan, Italy (CO <sub>2</sub> ONLY)	82	91	0.67	0.83
Argentina, Austria, Belgium, Bosnia, Brazil, Bulgaria, Canada, Chile, Croatia, Cyprus, Czech Republic, Denmark, Estonia, Finland, France, Germany, Greece, Guatemala, Herzegovina, Hong Kong, Hungary, Iceland, Israel, Latvia, Liechtenstein, Lithuania, Macedonia, Moldavia, Netherlands, New Zealand, Norway, Paraguay, Philippines, Poland, Portugal, Romania, Russia, Serbia, Slovakia, Slovenia, South Africa, South Korea, Spain, Sweden, Switzerland, Turkey, UK, U.S.A.	85	107	0.72	1.13

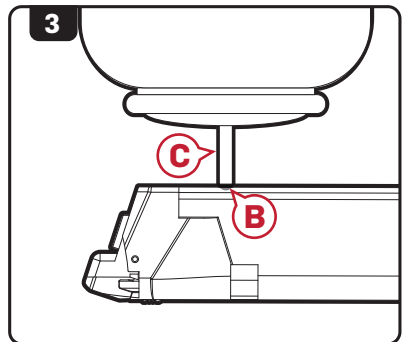
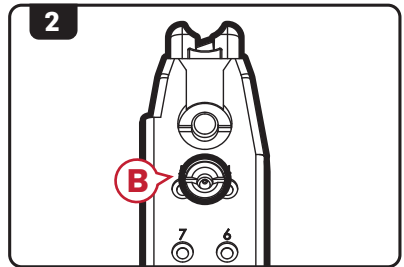
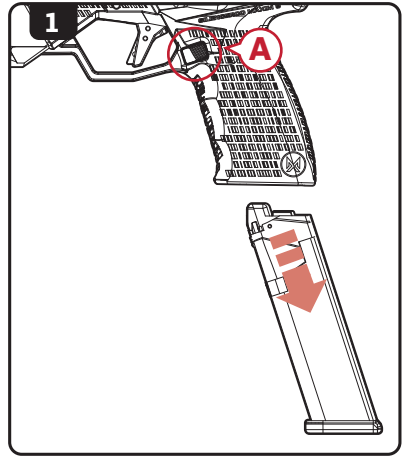
**NOTE** ..... Results may vary depending on environmental conditions.

## PACKAGE CONTENTS

- [1] SilencerCo Maxim 9 airsoft pistol
- [1] Magazine
- [1] 2mm Allen wrench
- [1] 4mm Allen wrench
- [1] User's manual
- [1] Cleaning rod

# CHARGING THE MAGAZINE

1. Press the magazine catch button **(A)** to release the magazine.
2. Locate the charging valve **(B)** on the back of the magazine.
3. With the gas canister nozzle **(C)** pointing down into the charging valve **(B)**, charge the magazine with gas.
4. The magazine is fully charged when excess gas sprays from the charging valve while charging, or after charging for approximately five to ten seconds.



IMPACT WITH A HARD SURFACE MAY DAMAGE THE MAGAZINE.

## NOTE

Minor leaking from the charging valve during charging is normal due to pressure built up inside the magazine. Keep magazine at room temperature for ideal shooting. Temperature below 68°F(20°C) may cause delayed action and reduced performance. Keep the gas release valve lightly oiled.

## CAUTION

Avoid exposing the magazine to direct sunlight or high temperature as either can cause the magazine to burst. Empty the gas from the magazine after shooting. Avoid exposure of skin and/or eyes to the gas during gas release to prevent cold burns.

## GREEN GAS SAFETY TIPS

- Ensure the gas canister is undamaged and in good condition.
- Do not expose the gas canister to direct sunlight or temperatures above 104°F / 40°C
- Do not use gas canister around an open flame or ignition sources.
- Use in a well ventilated area.
- Store gas canister in a cool, dry place.

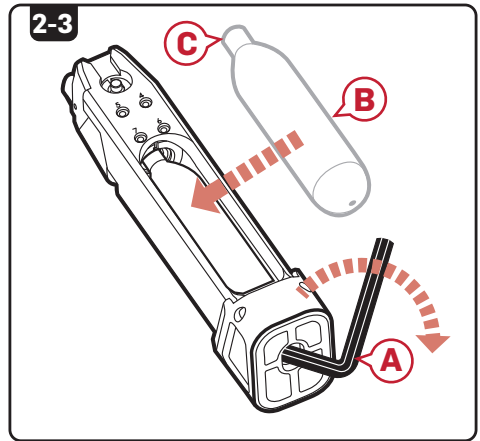
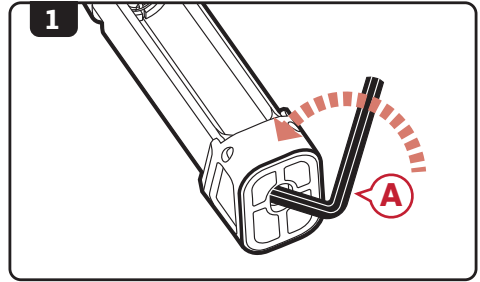
## LOADING THE CO<sub>2</sub> MAGAZINE CARTRIDGE

1. Use a 6mm hex key **(A)** to ensure CO<sub>2</sub> cartridge cradle is all the way down by turning cradle counter-clockwise from the bottom of the magazine.
2. Insert CO<sub>2</sub> cartridge **(B)** into magazine body, nozzle **(C)** up.
3. Use a 6mm hex key **(A)** to move the cradle up by turning clockwise.

Torque cradle until CO<sub>2</sub> cartridge is secured and punctured by magazine needle.

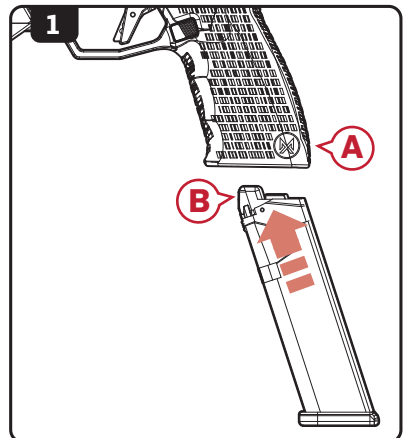
### NOTE

A brief 'hiss' noise will be heard when the CO<sub>2</sub> cartridge is punctured, continue turning hex key until noise stops to ensure proper seal of CO<sub>2</sub> cartridge in magazine.



## LOADING THE AIRSOFT GUN

1. Insert the magazine into the pistol grip **(A)** with the feed lip **(B)** facing forward.
2. Push the magazine up until it is locked into position.

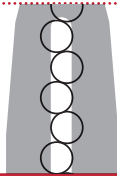


# LOADING THE MAGAZINE

1. Slide the magazine follower **A** downward and hold it at its bottommost position.
2. Load BBs into the magazine using a magazine loader **B** (not included) through the lower gap **C** in the BB window.
3. Release the magazine follower **A**.

## NOTE

Stagger stack the BBs to allow for maximum fill capacity.

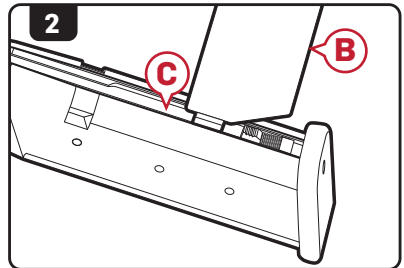
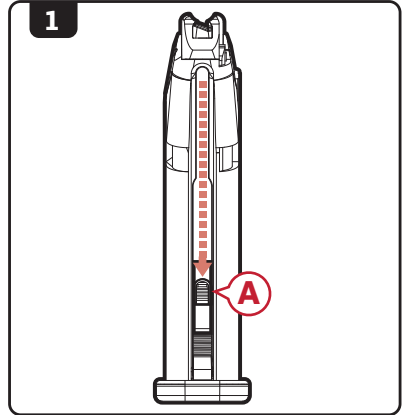


## CAUTION

Do not release the magazine follower while the magazine is empty.

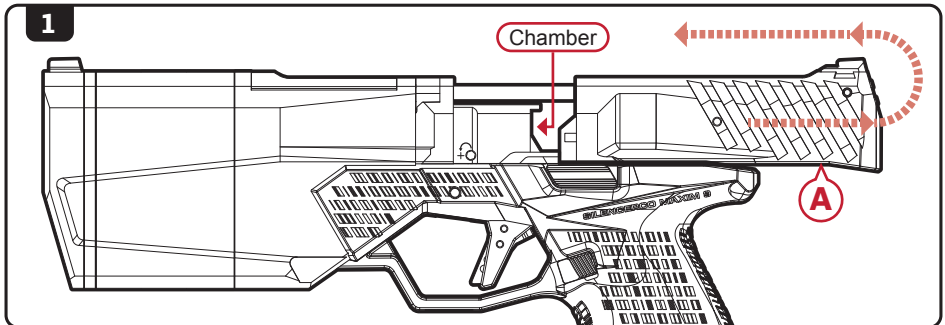
Use only high quality BBs with weight 0.2g or heavier.

Do not re-use BBs.



# LOADING CHAMBER

1. Pull the slide **A** to the rear-most position then release it to automatically load a BB into the chamber.

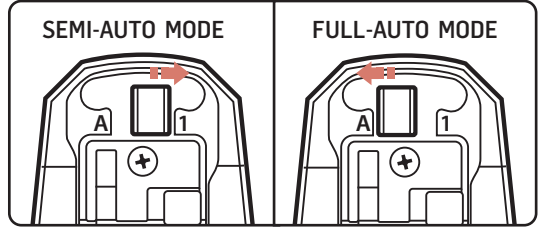
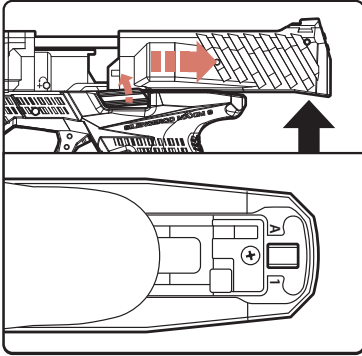


WARNING

FAILURE TO COMPLY WITH STEP ONE WILL CAUSE THE GUN TO NOT FIRE.

# FIRE SELECT SWITCH

**NOTE** Pull and set the slide to the rear-most position before selecting fire mode.



The airsoft gun will only fire one shot for each time the trigger is engaged.

The airsoft gun will continuously fire as long as the trigger remains engaged.

**CAUTION** If you change the fire mode while the gun is loaded, you will load a second BB into the chamber.

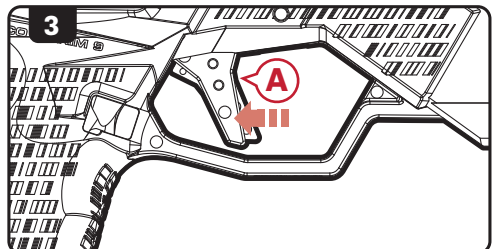
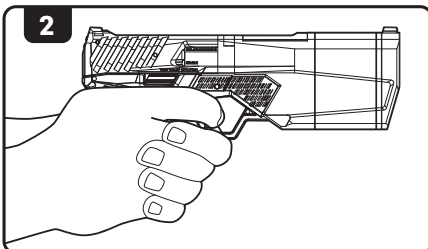
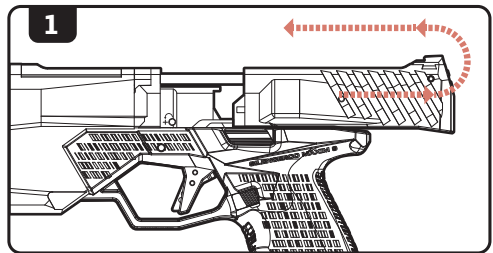
**WARNING** DO NOT ENGAGE THE TRIGGER WHILE SWITCHING BETWEEN MODES ON THE FIRE SELECTOR.

# SHOOTING THE AIRSOFT GUN

1. Cock the airsoft gun.
2. Hold the airsoft gun firmly in your hand. (Use a two hand hold to better control the airsoft gun.)
3. Squeeze the trigger (A) to shoot. The slide will cycle backward and forward to load the BBs automatically.

**WARNING**

DO NOT SHOOT THE AIRSOFT GUN IN A SIDEWAYS OR UPSIDE-DOWN POSITION.



# OPEN SLIDE

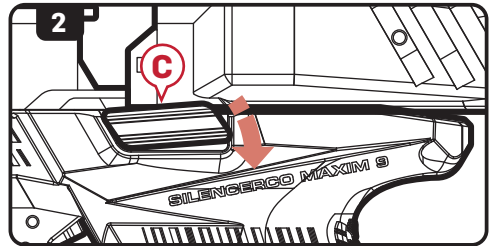
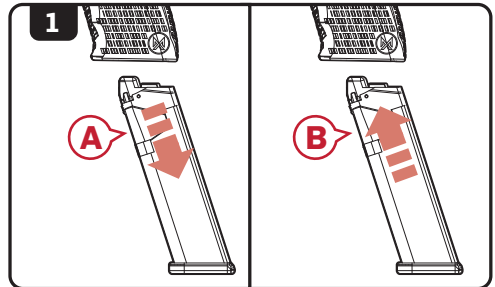


**WARNING**

**ALWAYS HANDLE THE AIRSOFT GUN AS IF IT IS LOADED EVEN WITH A OPEN SLIDE.**

The slide will remain open after the last BB has been fired and ejected.

1. Unload the empty **A** magazine from the airsoft gun and replace it with a loaded **B** magazine.
2. Press the slide stop **C** downward to release the slide. The first BB will be automatically loaded into the chamber.

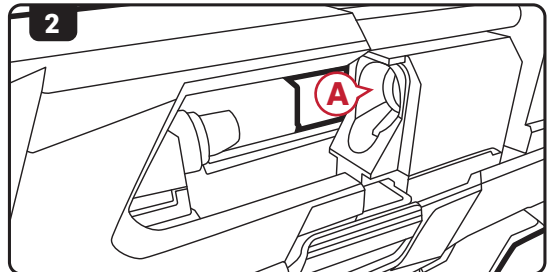
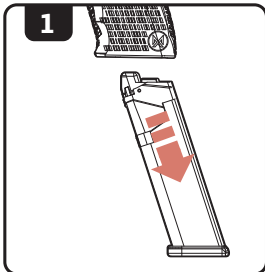


# CHAMBER CHECK

**SAFETY TIP**

Chamber check needs to be performed after shooting is finished.

1. Unload the magazine from the airsoft gun.
2. Check the open chamber **A** to make sure it is clear and without BBs.



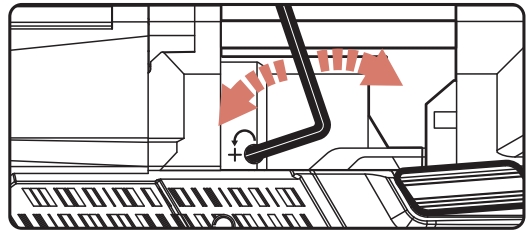
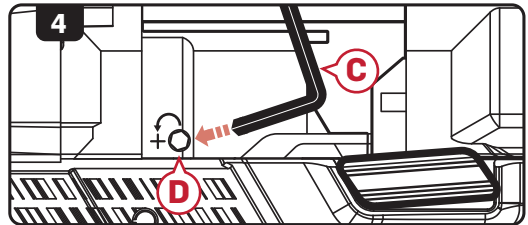
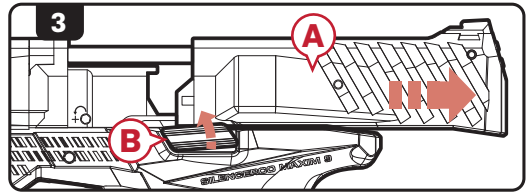
# HOP-UP SYSTEM

The advanced KRYTAC rotary hop-up unit is a standard feature in KRYTAC airsoft guns. Proper adjustment of the hop-up will allow the airsoft gun to fire in a variety of shooting environments to obtain optimal BB trajectory.

## Hop-Up Adjustment

1. Test fire the airsoft gun and observe the BB trajectories.
2. Unload the magazine from the airsoft gun.
3. Pull the slide **A** rearward and push up the slide stop **B** to lock it in place.
4. Insert a 2mm allen key **C** into the hop-up adjustment screw **D**.

Turn the tool counter-clockwise to increase the amount of backspin on the BB. Turn the tool clockwise to decrease the amount of backspin on the BB.



## Excessive Hop-Up

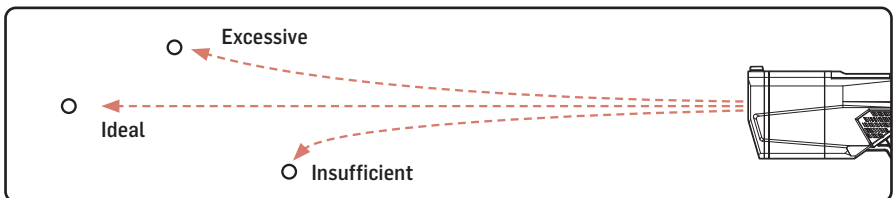
Airsoft BB travels in an extreme upward trajectory. Decrease the hop-up.

## Ideal Hop-Up

Airsoft BB travels in a long, horizontal flight path.

## Insufficient Hop-Up

Airsoft BB travels a short distance in a downward trajectory. Increase the hop-up.

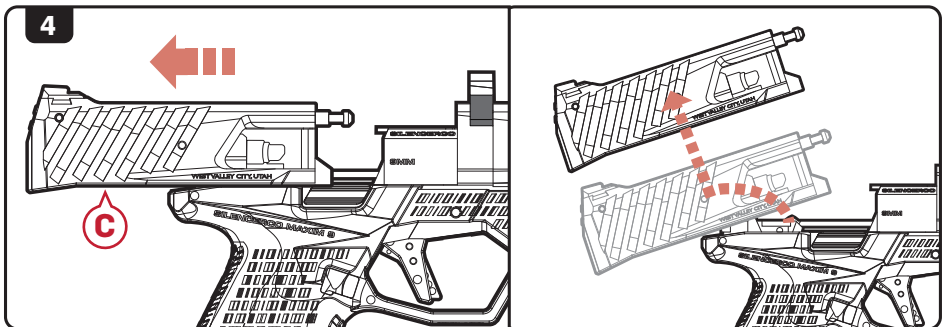
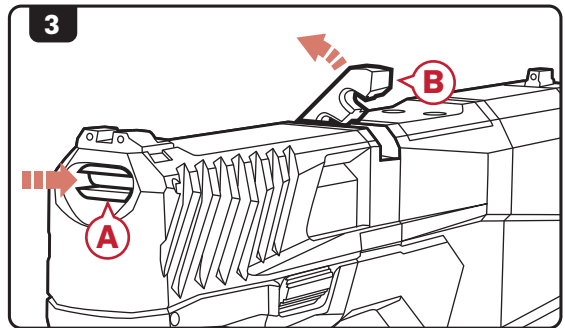
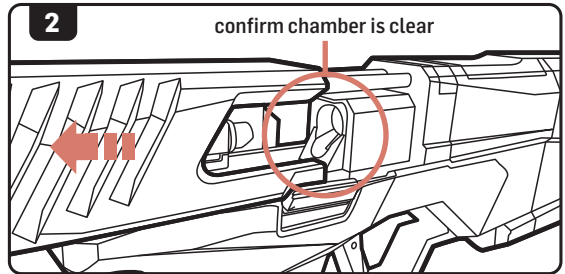




# DISASSEMBLY

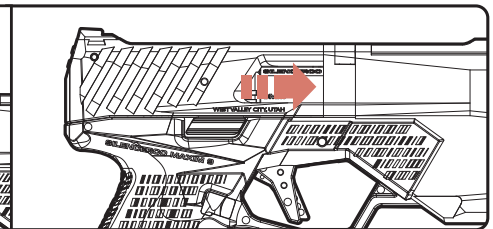
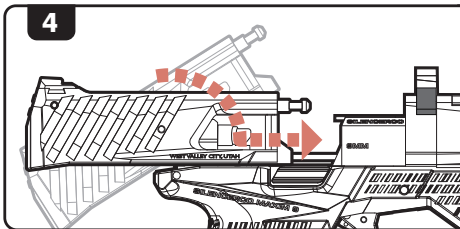
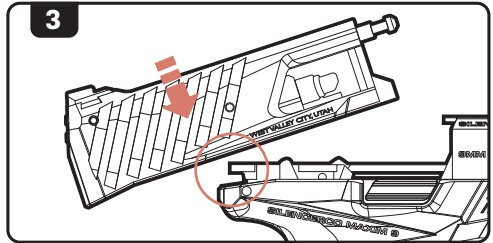
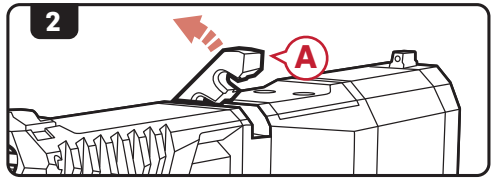
**NOTE** ONLY disassemble the airsoft gun for maintenance or clearing jammed BBs.

1. Insert a charged but unloaded magazine and fire the airsoft gun in a safe direction to ensure that the chamber is clear of any BBs. Then remove the magazine.
2. If the slide is not locked to the rear, pull the slide rearward and visually confirm that the chamber is clear. Return the slide to the forward position.
3. With the slide in the forward position, press and hold the slide release button **(A)** on the rear of the slide, then raise the takedown lever **(B)**.
4. Pull the slide **(C)** rearward until it stops, then pivot the slide off the frame.



# ASSEMBLY

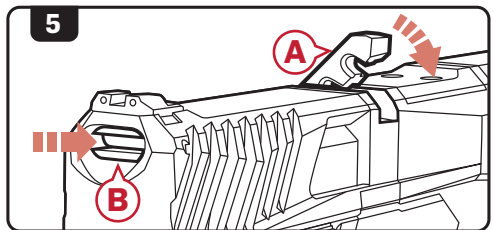
1. Ensure that there is no magazine inserted.
2. Lift the takedown lever **(A)**.
3. Line up the rear edge of the frame rails with the notches on the bottom of the slide.
4. Pivot the slide downward and push the slide forward until it is completely closed.
5. Press and hold the slide release button **(B)** on the rear of the slide and lower the takedown lever **(A)**.



6. Cycle the slide back and forth to confirm proper assembly.

## NOTE

If the slide and frame do not mate correctly, do not force it. Recheck the alignment of the slide on the rails and try again.

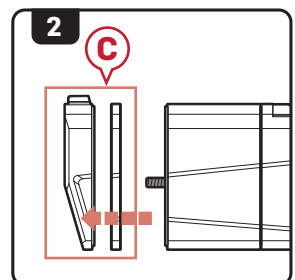
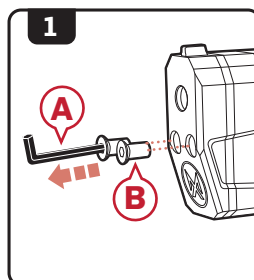


# INSTALL TRACER AND EXTENSION KIT

## NOTE

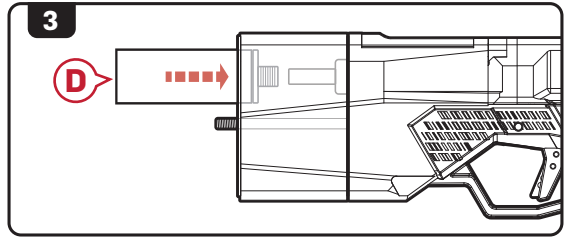
Tracer and Extension Kit sold separately.

1. Use a 4mm Allen wrench **(A)** and remove the two baffle screws **(B)** at the front.
2. Remove the front baffles **(C)**.



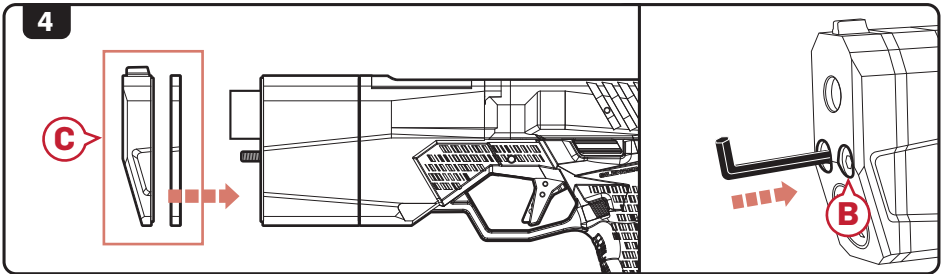
# INSTALL TRACER AND EXTENSION KIT

3. Screw the tracer unit **(D)** onto the Maxim 9.



4. Replace the baffles **(C)** and secure with the baffle screws **(B)** at front.

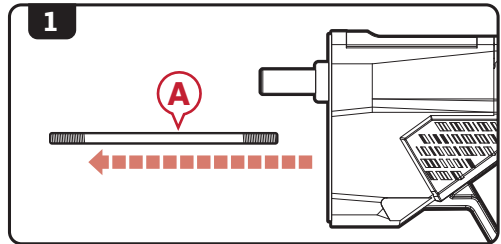
4A. **Optionally**, the tracer baffle (larger opening at muzzle) may be used to allow more light to illuminate BBs.



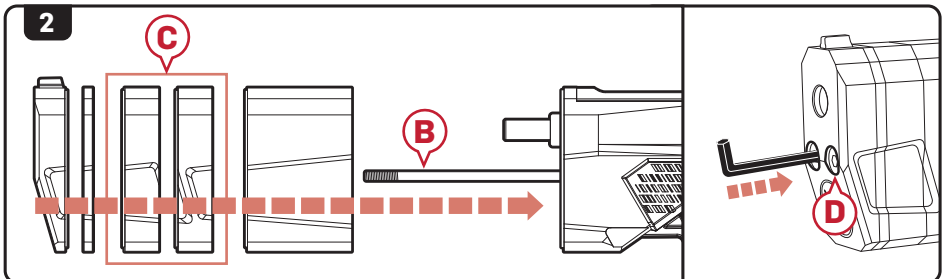
## NOTE

Tracer unit is compatible in both short and extended configurations. See below for extended configuration instructions.

1. Turn baffle guide rods **(A)** counter-clockwise to unscrew short baffle guides from Maxim 9.

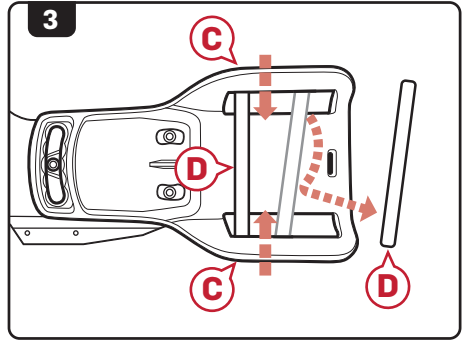
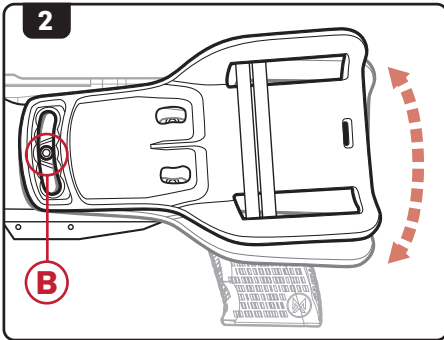
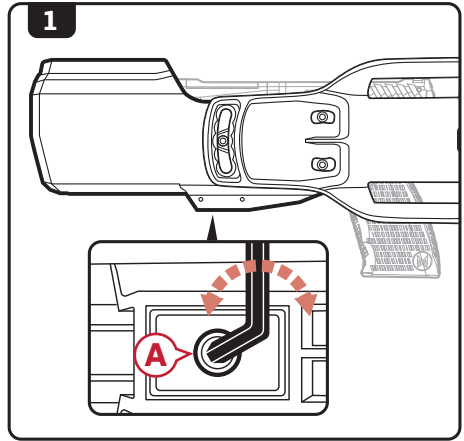


2. Install long baffle guide rods **(B)** and baffle extension pieces **(C)**, then secure with baffle screws **(D)** at front.



# HOLSTER ADJUSTMENTS

1. Adjust holster retention by turning the hex screw **A** on the bottom of the holster. Turn clockwise to increase retention strength, counterclockwise to decrease retention strength.
2. Adjust cant angle of holster by loosening lower mounting screw **B** and positioning to desired angle.
3. Slightly bend belt loop mounting plate **C**, then twist spacers **D** into, or out of, place for secure fitment to your chosen belt .



# CLEANING AND MAINTENANCE

Gas can dry out the internal seals and o-rings over time, resulting in poor performance and leaks.

Use a small amount of 100% silicone oil to lubricate the seals and o-rings found in the magazine and the cylinder. Also lightly lubricate the slide & frame rails, the trigger bar, and the striker assembly.

Oil on the hop-up bucking will reduce its effectiveness; use a lint-free cleaning patch to remove any oil on the hop-up bucking.

It is not recommended to use any other type of lubricants.

# **OPERATION UNDER EXTREME CONDITIONS**

---

When operating under harsh conditions, special maintenance may be required to match the climate conditions of a specific operational area.

## **Dust and Sand**

In harsh dusty or sandy environments, excessive debris can cause malfunctions and/or excessive wear on parts. Keep the gun covered and protected while not in use. When performing maintenance, use lubrication sparingly as it tends to attract dirt and other particles. After use in a dusty or sandy area, always field strip the gun, as outlined in the Disassembly section, cleaning all the areas that can be reached with a soft, clean, lint-free cloth.

## **Extreme Cold**

Operating a gas powered airsoft gun in low temperatures is not recommended. The Hop-up Bucking is less effective in lower temperatures. Gas has lower pressure output in cold temperatures, resulting in reduced power and performance.

## **Extreme Heat**

Operating a gas powered airsoft gun in extremely hot temperatures is not recommended. Higher temperatures will increase the gas pressure. This may damage the internal components and may cause seals to fail.

## **Heavy Rain**

Never submerge or expose your gun to extremely wet environments. Exposure to such conditions may cause reduced performance, or damage due to corrosion. Dry completely with a clean, lint-free cloth and clean inner barrel when necessary. Apply a thin coat of silicone oil to metal components to prevent corrosion.

# **HEARING PROTECTION REQUIREMENT**

---

## **HEARING PROTECTION REQUIREMENT FOR EUROPEAN COMMUNITY**

The SILENCERCO MAXIM 9 fulfills all relevant provisions of:

EMC Directive (2014/30/EU)  
RoHS Directive (2011/65/EU)  
General Product Safety Directive (2001/95/EC)

In conjunction with the following harmonized standards or technical specifications for the design and manufacture

EN 50581:2012; EN 55014-1:2006; EN 55014-2:1997

In accordance with the above mentioned standards, in some applications, noise or vibration levels may exceed the minimum Noise levels of 85db(A). If Noise levels exceed 85db(A), appropriate ear protection must be used to prevent any damages due to sound emissions.

# TROUBLE SHOOTING GUIDE



**WARNING**

**WHEN TROUBLESHOOTING, FOLLOW THE SAFETY MEASURES DESCRIBED IN THIS MANUAL.**

<b>SYMPTOMS</b>	<b>CAUSE</b>	<b>SOLUTIONS</b>
Slide is sluggish, sticks, or otherwise will not cycle.	Dirt/debris in the slide and/or frame, or insufficient lubrication.	Clean the pistol and lubricate the loading nozzle and slide rails with oil.
	Insufficient gas.	Recharge magazine with gas.
	Magazine is too cold.	Allow magazine to warm up.
BBs misfeed, misfire, or jam in the hop-up/ barrel.	BBs are malformed or out of specification.	Replace BBs with new, high quality BBs.
	Fouling in hop-up chamber or barrel.	Clean the barrel and hop-up bucking.
	Hop-up not engaged or set too high.	Try a different hop-up setting.
	Hop-up bucking is damaged.	Replace hop-up bucking.
	Loading nozzle is damaged.	Replace loading nozzle.
BBs will not feed from magazine.	BBs are malformed or out of specification.	Remove all BBs and replace with new, high quality BBs.
	Magazine feed lip is damaged.	Replace magazine feed lip.
	Loading nozzle is damaged.	Replace loading nozzle.
	Magazine follower and/or follower spring is damaged.	Replace magazine follower and/or follower spring.
Magazine is leaking gas.	Dry or degraded o-rings.	Lubricate or replace the fill valve and release valve.
	Magazine base seal is loose.	Inspect the seal behind the magazine base plate and tighten the screw.
BB travels upward.	Hop-up adjusted too high.	Decrease the hop-up adjustment.
BB travels downward.	Hop-up adjusted too low.	Increase the hop-up adjustment.
Slide does not lock open when the magazine is empty.	Thumb or part of hand is on the slide stop lever.	Reposition hand.
	Dirt/debris around the slide stop lever.	Clean the pistol.
	Insufficient gas.	Recharge magazine with gas.
	Magazine is too cold.	Allow magazine to warm up.
	Magazine follower is worn or damaged.	Replace magazine follower.
	Slide stop lever is worn or damaged.	Replace slide stop lever.

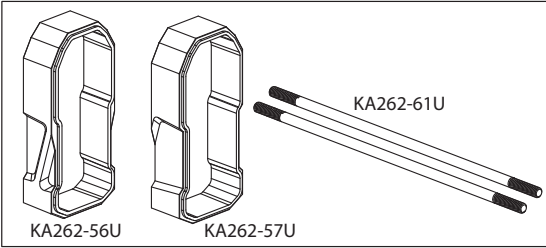
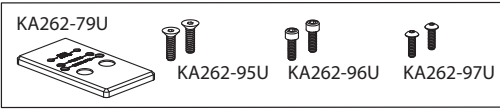
## CONTACT INFORMATION

Visit KRYTAC Help Desk at <https://support.krytac.com>

Email us at: [support@krytac.com](mailto:support@krytac.com)

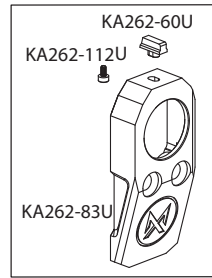
# COMPONENT DIAGRAM: ACCESSORIES

KA262-79A

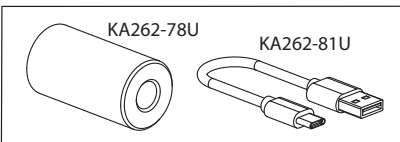


KA262-56B

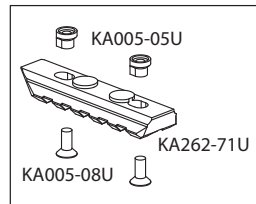
KA262-83A



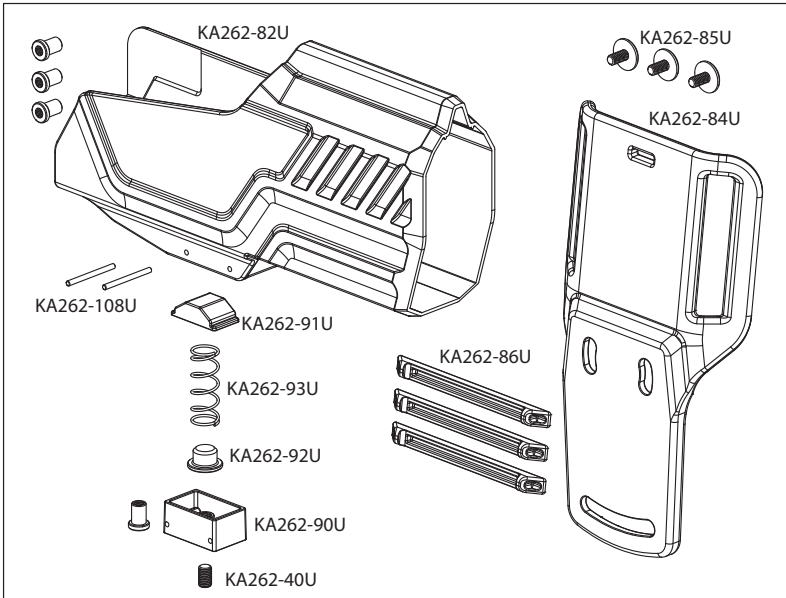
KA262-78B



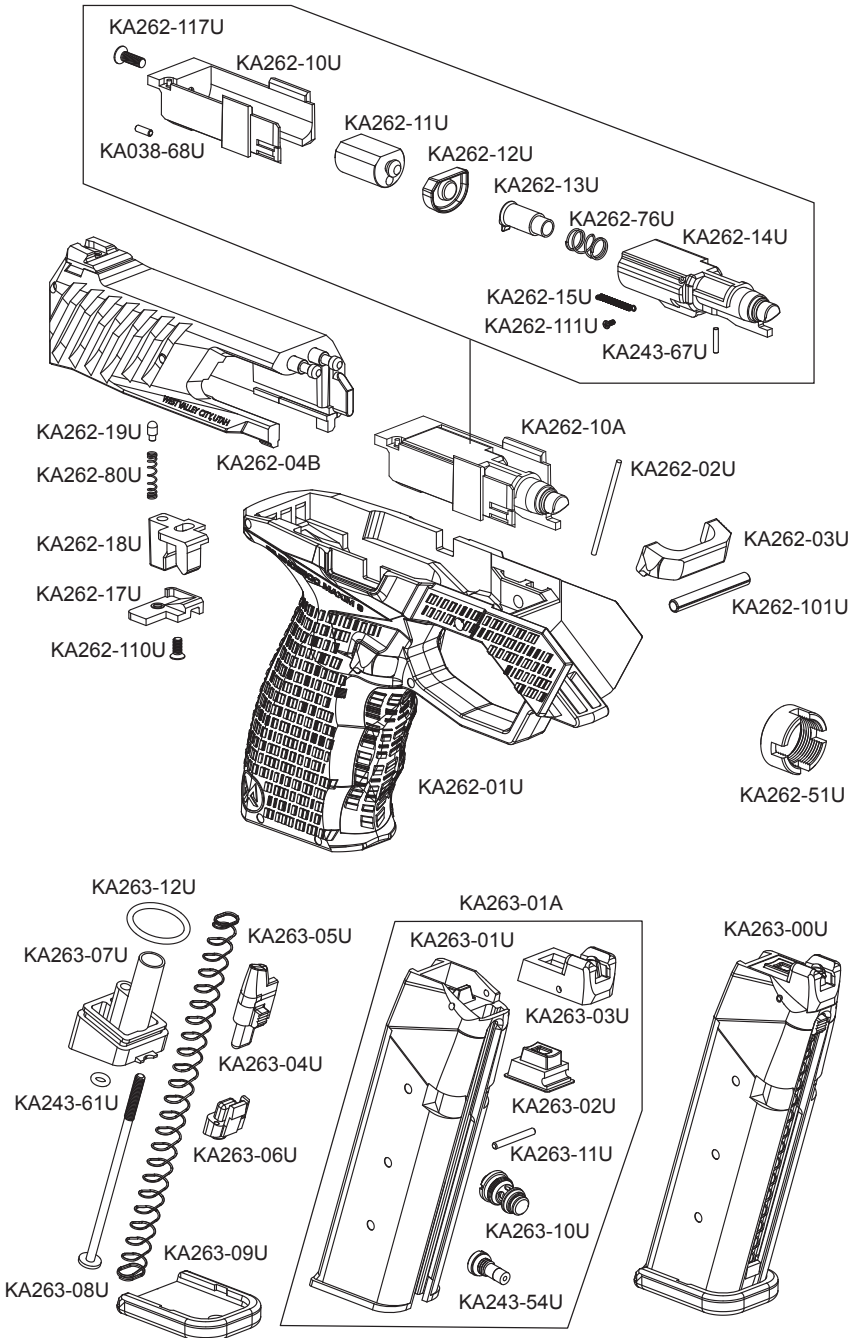
KA262-71A



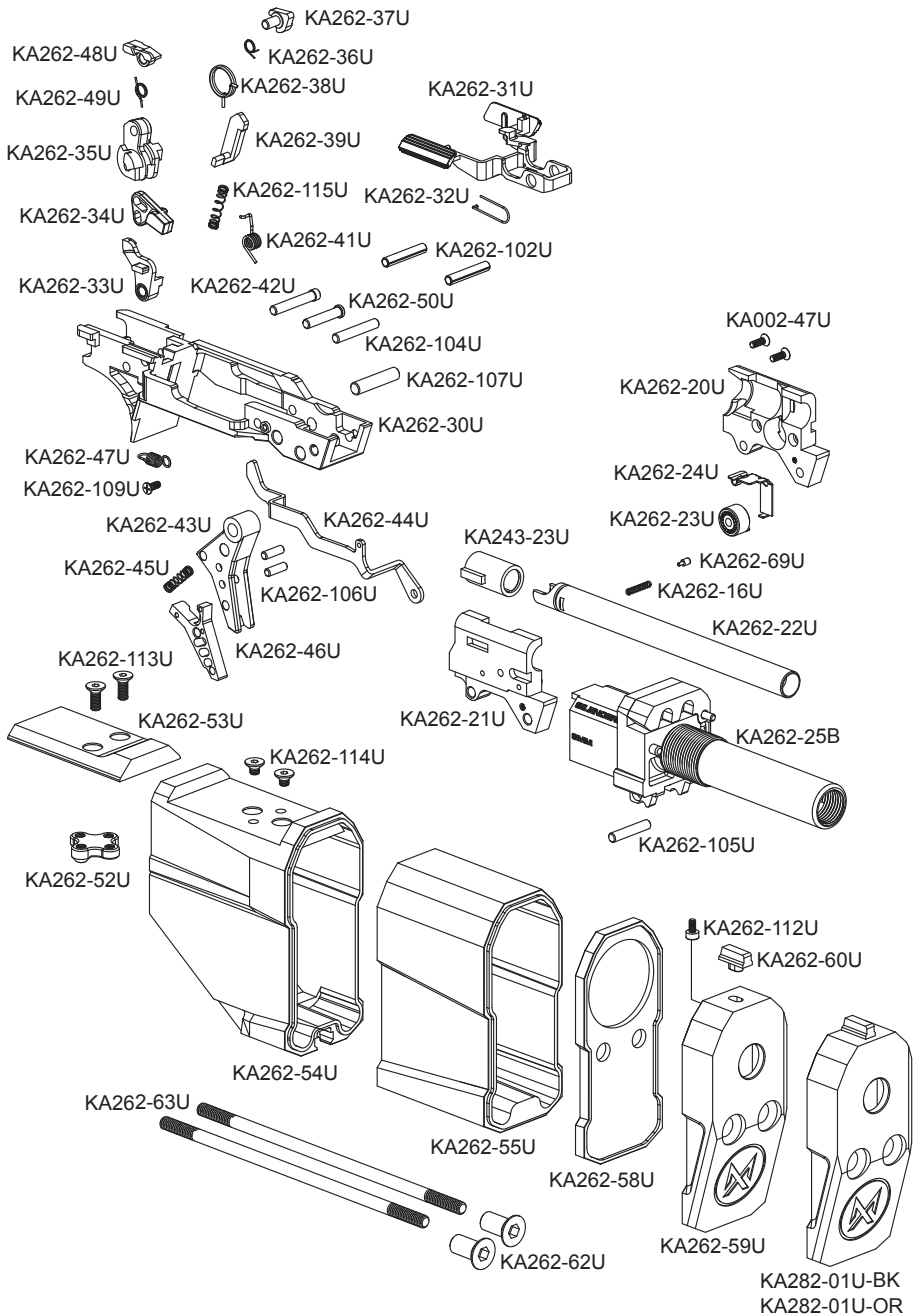
KA262-82A



# COMPONENT DIAGRAM







# COMPONENT LIST

PART #	NAME		
KA002-47U	Hop Up Housing Screw	KA262-36U	Hammer Rotor Spring
KA005-05U	Keymod Rail Nut	KA262-37U	Hammer Rotor
KA005-08U	Screw	KA262-38U	Hammer Spring
KA038-68U	Blow Back Housing Roll Pin	KA262-39U	Knocker Lock
KA243-23U	Hop Up Bucking	KA262-40U	Screw (M5x8)
KA243-54U	Gas Fill Valve	KA262-41U	Hammer Sear Spring
KA243-61U	O-Ring (3x1.5) NBR	KA262-42U	Hammer Pin
KA243-67U	Gas Nozzle Pin	KA262-43U	Trigger
KA262-01U	Frame	KA262-44U	Trigger Lever
KA262-02U	Mag Release Spring	KA262-45U	Trigger Safety Spring
KA262-03U	Mag Release	KA262-46U	Trigger Safety
KA262-04B	Slide Unit	KA262-47U	Trigger Lever Spring
KA262-10A	Nozzle Assembly	KA262-48U	Full Auto Sear
KA262-10U	Nozzle Housing	KA262-49U	Full Auto Sear Spring
KA262-11U	Piston Head Housing	KA262-50U	Full Auto Sear Pin
KA262-12U	Piston Head	KA262-51U	Barrel Nut
KA262-13U	Nozzle Valve	KA262-52U	RMR Mount Fixing Nut
KA262-14U	Loading Nozzle	KA262-53U	Body Top Optical Cover Cap
KA262-15U	Nozzle Return Spring	KA262-54U	Body-A Section
KA262-16U	Hop-Up Detent Spring	KA262-55U	Body-B Section
KA262-17U	Nozzle Housing Base Cover	KA262-56B	Baffle Extension Kit
KA262-18U	Fire Selector	KA262-56U	Body-C Section
KA262-19U	Fire Selector Detent Pin	KA262-57U	Body-D Section
KA262-20U	Hop-Up Chamber L	KA262-58U	Body-E Section
KA262-21U	Hop-Up Chamber R	KA262-59U	Body-F Section
KA262-22U	Inner Barrel 115mm	KA262-60U	Front Sight
KA262-23U	Hop-Up Adjustment Wheel	KA262-61U	Fixing Bolt-Long
KA262-24U	Hop-Up Adjustment Lever	KA262-62U	Fixing Nut
KA262-25B	Outer Barrel Housing Unit	KA262-63U	Fixing Bolt-Short
KA262-30U	Hammer Housing	KA262-69U	Hop-Up Detent Pin
KA262-31U	Slide Stop	KA262-71A	Lower Keymod Rail Kit
KA262-32U	Slide Stop Spring	KA262-71U	Lower Keymod Rail
KA262-33U	Hammer Sear	KA262-76U	Nozzle Valve Spring
KA262-34U	Valve Knocker	KA262-78B	Tracer Kit
KA262-35U	Hammer	KA262-78U	Tracer
		KA262-79A	Optic Plate Kit

KA262-79U	Optic Plate	KA262-117U	Blow Back Housing Screw
KA262-80U	Fire Selector Detent Spring	KA263-00U	Magazine
KA262-81U	Charging Cable	KA263-01A	Magazine Main Body Assembly
KA262-82A	Holster Kit	KA263-01U	Mag Main Body
KA262-82U	Holster	KA263-02U	Mag Rubber Gasket
KA262-83A	Tracer Baffle Kit	KA263-03U	Mag Feed Lip
KA262-83U	Tracer Baffle Cap	KA263-04U	Mag Follower
KA262-84U	Belt Loop Mounting Plate	KA263-05U	Mag Follower Spring
KA262-85U	Belt Loop Mounting Plate Screw	KA263-06U	Mag Follower Spring Base
KA262-86U	Belt Loop Spacers	KA263-07U	Mag Bottom
KA262-90U	Holster Retention Housing	KA263-08U	Screw (M3x70)
KA262-91U	Holster Retention Black	KA263-09U	Mag Base Plate
KA262-92U	Holster Retention Spring Guide	KA263-10U	Mag Gas Release Valve
KA262-93U	Holster Retention Spring	KA263-11U	Solid Pin (2x17)
KA262-95U	Screw #6-32UNCx12 Flat Head Socket Cap	KA263-12U	O-Ring (15.6x1.78) NBR
KA262-96U	Screw #5-40UNCx7.6 Socket Head Cap	KA282-01U-BK	Baffle Cap (Black)
KA262-97U	Screw #4-40UNCx9 Button Head Socket Cap	KA282-01U-OR	Baffle Cap (Orange)
KA262-101U	Roll Pin (4x32)		
KA262-102U	Roll Pin (3x18)		
KA262-104U	Solid Pin (3x18)		
KA262-105U	Solid Pin (3x16)		
KA262-106U	Knurled Pin (2.5x8x1.5)		
KA262-107U	Knurled Pin (4x18x3)		
KA262-108U	Solid Pin (2x25)		
KA262-109U	Screw Flat Head (M2x5)		
KA262-110U	Screw Flat Head (M2.6x6)		
KA262-111U	Screw Pan Head (M1.4x3)		
KA262-112U	Screw Socket Head Cap (M2x4)		
KA262-113U	Screw Flat Head Socket Cap (M3x8)		
KA262-114U	Screw Flat Head Socket Cap (M3x4)		
KA262-115U	Knocker Lock Spring		

[www.krytac.com](http://www.krytac.com)

© Copyright 2022  
KRISS INDUSTRIES ASIA

Subject to change

V.01\_2023.01.22

**SUPPORT**

Visit KRYTAC Help Desk at:  
<https://support.krytac.com>  
Email us at: [support@krytac.com](mailto:support@krytac.com)