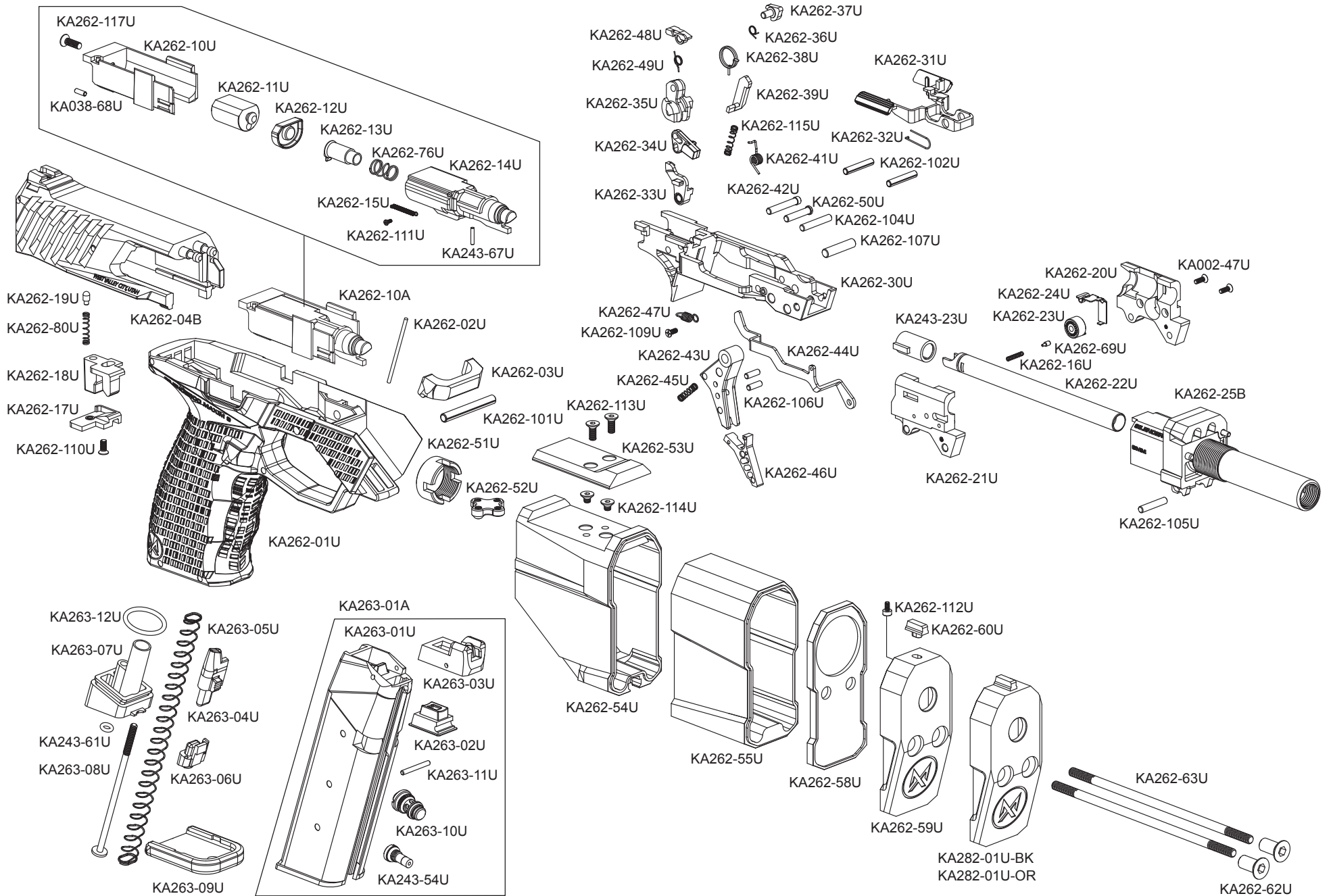


# COMPONENTS DIAGRAM: SILENCERCO MAXIM 9



# COMPONENTS DIAGRAM: SILENCERCO MAXIM 9 ACCESSORIES

KA262-79A

KA262-79U



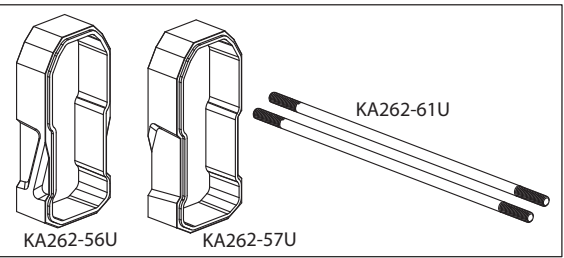
KA262-95U



KA262-96U



KA262-97U



KA262-56U

KA262-57U

KA262-61U

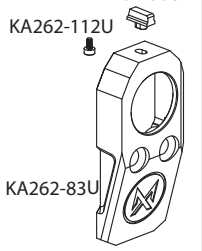
KA262-56B

KA262-83A

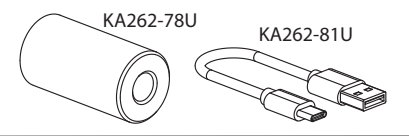
KA262-60U

KA262-112U

KA262-83U



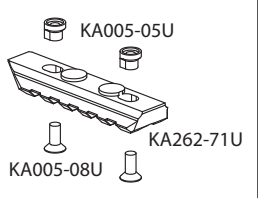
KA262-78B



KA262-78U

KA262-81U

KA262-71A

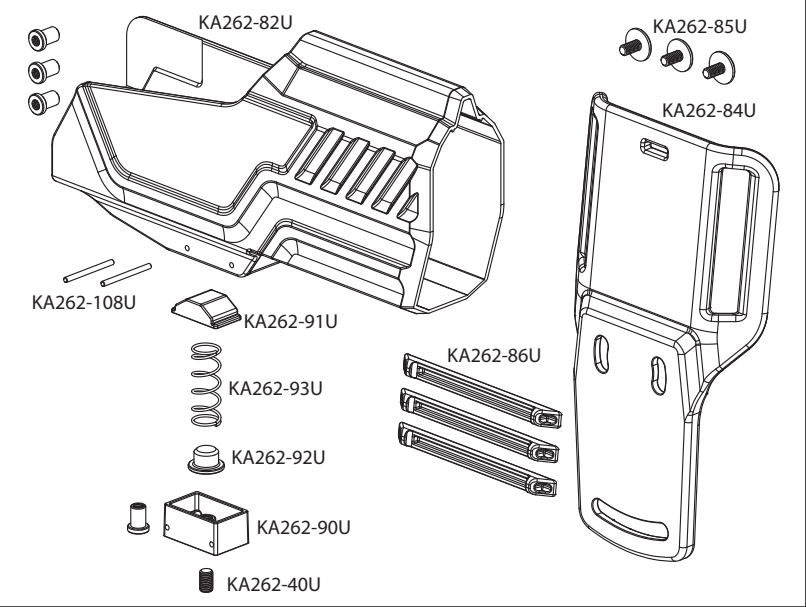


KA005-05U

KA262-71U

KA005-08U

KA262-82A



KA262-82U

KA262-85U

KA262-84U

KA262-108U

KA262-91U

KA262-93U

KA262-92U

KA262-90U

KA262-40U

KA262-86U

# COMPONENTS LIST: ALPHA CRB-M

# PART	NAME						
KA002-47U	Hop Up Housing Screw	KA262-36U	Hammer Rotor Spring	KA262-79U	Optic Plate	KA262-117U	Blow Back Housing Screw
KA005-05U	Keymod Rail Nut	KA262-37U	Hammer Rotor	KA262-80U	Fire Selector Detent Spring	KA263-00U	Magazine
KA005-08U	Screw	KA262-38U	Hammer Spring	KA262-81U	Charging Cable	KA263-01A	Magazine Main Body Assembly
KA038-68U	Blow Back Housing Roll Pin	KA262-39U	Knocker Lock	KA262-82A	Holster Kit	KA263-01U	Mag Main Body
KA243-23U	Hop Up Bucking	KA262-40U	Screw (M5x8)	KA262-82U	Holster	KA263-02U	Mag Rubber Gasket
KA243-54U	Gas Fill Valve	KA262-41U	Hammer Sear Spring	KA262-83A	Tracer Baffle Kit	KA263-03U	Mag Feed Lip
KA243-61U	O-Ring (3x1.5) NBR	KA262-42U	Hammer Pin	KA262-83U	Tracer Baffle Cap	KA263-04U	Mag Follower
KA243-67U	Gas Nozzle Pin	KA262-43U	Trigger	KA262-84U	Belt Loop Mounting Plate	KA263-05U	Mag Follower Spring
KA262-01U	Frame	KA262-44U	Trigger Lever	KA262-85U	Belt Loop Mounting Plate Screw	KA263-06U	Mag Follower Spring Base
KA262-02U	Mag Release Spring	KA262-45U	Trigger Safety Spring	KA262-86U	Belt Loop Spacers	KA263-07U	Mag Bottom
KA262-03U	Mag Release	KA262-46U	Trigger Safety	KA262-90U	Holster Retention Housing	KA263-08U	Screw (M3x70)
KA262-04B	Slide Unit	KA262-47U	Trigger Lever Spring	KA262-91U	Holster Retention Black	KA263-09U	Mag Base Plate
KA262-10A	Nozzle Assembly	KA262-48U	Full Auto Sear	KA262-92U	Holster Retention Spring Guide	KA263-10U	Mag Gas Release Valve
KA262-10U	Nozzle Housing	KA262-49U	Full Auto Sear Spring	KA262-93U	Holster Retention Spring	KA263-11U	Solid Pin (2x17)
KA262-11U	Piston Head Housing	KA262-50U	Full Auto Sear Pin	KA262-95U	Screw #6-32UNCx12 Flat Head Socket Cap	KA263-12U	O-Ring (15.6x1.78) NBR
KA262-12U	Piston Head	KA262-51U	Barrel Nut	KA262-96U	Screw #5-40UNCx7.6 Socket Head Cap	KA282-01U-BK	Baffle Cap (Black)
KA262-13U	Nozzle Valve	KA262-52U	RMR Mount Fixing Nut	KA262-97U	Screw #4-40UNCx9 Button Head Socket Cap	KA282-01U-OR	Baffle Cap (Orange)
KA262-14U	Loading Nozzle	KA262-53U	Body Top Optical Cover Cap				
KA262-15U	Nozzle Return Spring	KA262-54U	Body-A Section				
KA262-16U	Hop-Up Detent Spring	KA262-55U	Body-B Section				
KA262-17U	Nozzle Housing Base Cover	KA262-56B	Baffle Extension Kit				
KA262-18U	Fire Selector	KA262-56U	Body-C Section				
KA262-19U	Fire Selector Detent Pin	KA262-57U	Body-D Section				
KA262-20U	Hop-Up Chamber L	KA262-58U	Body-E Section				
KA262-21U	Hop-Up Chamber R	KA262-59U	Body-F Section				
KA262-22U	Inner Barrel 115mm	KA262-60U	Front Sight				
KA262-23U	Hop-Up Adjustment Wheel	KA262-61U	Fixing Bolt-Long				
KA262-24U	Hop-Up Adjustment Lever	KA262-62U	Fixing Nut				
KA262-25B	Outer Barrel Housing Unit	KA262-63U	Fixing Bolt-Short				
KA262-30U	Hammer Housing	KA262-69U	Hop-Up Detent Pin				
KA262-31U	Slide Stop	KA262-71A	Lower Keymod Rail Kit				
KA262-32U	Slide Stop Spring	KA262-71U	Lower Keymod Rail				
KA262-33U	Hammer Sear	KA262-76U	Nozzle Valve Spring				
KA262-34U	Valve Knocker	KA262-78B	Tracer Kit				
KA262-35U	Hammer	KA262-78U	Tracer				
		KA262-79A	Optic Plate Kit				